

CECO KB Duct



Industrial Ductwork Solutions for a cleaner, safer working environment



CECO KB Duct

KB Duct is a true pioneer in the industrial ductwork market.

Since 1907, Kirk & Blum has been the nation's largest manufacturer of industrial sheet metal components. We provide solutions for the engineering and manufacturing of products and systems leading to **cleaner, safer working environments** around the world.

Today, KB Duct provides the widest range of ducting systems, individual components and application-specific duct solutions for industrial dust, fume, mist and air handling. We offer the **fastest delivery** on flanged and clamp-together duct in **all gauges, all materials for all application needs**. No one else can match our accumulated knowledge, support and capabilities.

- **A complete offering of industrial ducting - flanged and clamp-together.**
- **Individual components or complete systems, including all accessories.**
- **Custom and heavy fabrications.**
- **Custom development of special products. You draw it and we can make it!**
- **Free design services. We can turn the roughest drawings into full 3-D system designs.**
- **Highest quality - guaranteed! From the latest technology and production techniques.**
- **Full service and support at all levels.**
- **Fastest delivery in the industry.**
- **Nationwide sales, service and production facilities, for better service and faster delivery.**

As a member of CECO Environmental, we are part of one of the world's leading industrial technology companies, providing innovative solutions for the environmental, energy, and fluid handling/filtration industries. Through our well-known brands, CECO provides a wide spectrum of products and services that play a vital role in helping companies achieve exacting production standards, meet increasing plant needs and comply with stringent regulations.

At KB Duct, we have earned our reputation for excellence by providing the widest capabilities, highest quality, and most responsive customer service in the industry.

Contact us today for a FREE 3D rendering of your project or a FREE Quote.



2021 Product Catalog

Table of Contents

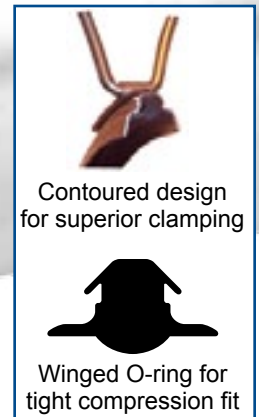
| | | | |
|--|-----------|--------------------------|----------|
| Forever Clamps & Duct | Pg 4 - 10 | Accessories | Pg 36-49 |
| Forever Clamp | Pg 6 | Ball Joints | Pg 37 |
| O-Rings | Pg 7 | Flex Hoses | Pg 38 |
| Clamp Together Duct | Pg 8 | Steel Flex Hoses | Pg 38 |
| Flanged Duct | Pg 9 | Bell mouths | Pg 39 |
| Adjustable Sleeve | Pg 10 | Butterfly Valves | Pg 40 |
| Elbows | Pg 11-15 | Floor Sweep | Pg 41 |
| Elbows - Pressed Halves | Pg 12 | Kwik Hangers | Pg 42 |
| Elbows - Tubed Standard / Flanged | Pg 13 | No-Loss Stackheads | Pg 43 |
| Elbows - Gored Standard / Flanged | Pg 14-15 | Rain Caps | Pg 44 |
| Branches | Pg 16-25 | Viewing Spools | Pg 45 |
| Double Lateral Branches - Standard / Flanged | Pg 17-18 | Custom Hoods | Pg 46 |
| Lateral Branches - Standard / Flanged | Pg 19-20 | Transitions - Flanged | Pg 47 |
| T-Branches - Standard / Flanged | Pg 21 | End Caps | Pg 48 |
| Y Branches - Standard / Flanged | Pg 22-23 | Stack Flanges | Pg 49 |
| In-Cuts - Standard / Flanged | Pg 24-25 | Roof Flanges | Pg 49 |
| Adapters | Pg 26-30 | Solution Products | Pg 50-59 |
| Adapters - Standard / Flanged | Pg 27 | NFPA No Return Valve | Pg 51 |
| Hose Adapters | Pg 28 | Spark Buster | Pg 52 |
| Reducers - Standard / Flanged | Pg 29-30 | Fume Arms | Pg 53 |
| Blast Gates & Cut-Offs | Pg 31-35 | Cyclones | Pg 54 |
| Air-Tight Automatic UHMW Gates | Pg 32 | Silencers | Pg 55 |
| Air-Tight Blast Gates | Pg 33 | Blue Oil Mist Gasket | Pg 56 |
| Automatic Cut-offs | Pg 34 | Diverter Valves | Pg 57 |
| Cut-Offs | Pg 35 | Oil Mist Accumulator | Pg 58 |
| | | Oil Mist Curb | Pg 59 |
| | | Vibration Dampeners | Pg 59 |

Superior Clamping, Faster Installation and Infinite Adjustability!

KB Clamp Together Duct Provides You With...

- Adjustability
- Flexibility
- Re-useability
- Efficiency - Compared to spiral
- Serviceability - Easy Access

50% - 70%
labor time savings
compared to spiral
or flanged duct



Standard



Adjustable



Unique 360° "forever" compression seal reduces leaks.



Clamp overlaps for a super tight seal.



NEW blue gasket option for oil mist applications.

Features & Benefits

- **Fully welded seams:** All laterals, branches and "Y" fittings are welded and sealed
- **Adjustability:** 2" of adjustability in all elbows and laterals for standard gauges only unless specified
- **Custom fabrication:** Hoods, transitions, square to round, Plenums and more
- **304; 316 Stainless and Galvanized** materials up to 10 gauge

NEW Patent Pending Forever Clamp Design

- **360° Forever Seal:** Continuous overlap ensures alignment
- **Concave Design:** Grabs both rolled lips to enhance the connection
- **Buna N Gasket:** Gasket is more malleable
- **Improved welds on the handle**
- **NEW Blue Gasket Option:** Use in conjunction with our forever clamp for a tighter seal

Two Key Methods Of Adjustment

Quickly make infinite adjustments to fit any length of space between fittings

- Use 11" adjustable sleeve for non-standard lengths
- Use adjustable collars with an O-ring for critical short adjustments

Superior Clamping

The KB Duct Forever Clamp is designed for quick, secure, repetitive use

- Heavy duty "winged" O-ring gasket provides tight compression around the rolled lips of the duct
- All welded and 309 stainless steel construction means that the clamp will perform time after time... **FOREVER...Guaranteed**



Just Cut It, Fit It and Click It!

CECO KB Duct

CALL US TOLL FREE AT
1-866-562-3828
[www.cecoenviro.com/
kbduct](http://www.cecoenviro.com/kbduct)

KB Duct Forever Clamps



Standard



Adjustable

| Standard | |
|----------|-------|
| Dia. | Part# |
| 3" | 13003 |
| 4" | 13004 |
| 5" | 13005 |
| 6" | 13006 |
| 7" | 13007 |
| 8" | 13008 |
| 9" | 13009 |
| 10" | 13010 |
| 11" | 13011 |
| 12" | 13012 |
| 13" | 13013 |
| 14" | 13014 |
| 15" | 13015 |
| 16" | 13016 |
| 17" | 13017 |
| 18" | 13018 |
| 19" | 13019 |
| 20" | 13020 |
| 22" | 13022 |
| 24" | 13024 |

| Adjustable | |
|------------|--------|
| Dia. | Part# |
| 3" | 13003A |
| 4" | 13004A |
| 5" | 13005A |
| 6" | 13006A |
| 7" | 13007A |
| 8" | 13008A |
| 9" | 13009A |
| 10" | 13010A |
| 11" | 13011A |
| 12" | 13012A |
| 13" | 13013A |
| 14" | 13014A |
| 15" | 13015A |
| 16" | 13016A |
| 17" | 13017A |
| 18" | 13018A |
| 19" | 13019A |
| 20" | 13020A |
| 22" | 13022A |
| 24" | 13024A |

KB Duct's all welded stainless steel Forever Clamp and Adjustable Forever Clamp feature our famous "Forever" Guarantee. As needed or requested, other gasket materials can be supplied.

RED SILICONE: Used primarily on high heat and FDA applications (Extruded replacement gasket). Temp rating for gaskets - Max 475° F

VITON: Oil Mist and chemical (overlay tape to prevent gasket saturation).

GORE-TEX: Used in some oil mist and chemical applications (overlay tape to prevent gasket saturation).

Buna-N or red silicone are both available as clamp gasket and as an option for O-rings on our adjustable sleeves.

O-rings



Standard Buna-N



Red Silicone FDA High Temp

Standard O-ring is made of Buna-N-40 durometer rubber. Highly resistant to most chemicals and oils. Maximum temp rating to 250 degs F. Red Silicone, Viton and other materials are also available.

| Additional O-Ring | |
|-------------------|---------|
| Part# | Hi-Temp |
| 11103 | 11103HT |
| 11104 | 11104HT |
| 11105 | 11105HT |
| 11106 | 11106HT |
| 11107 | 11107HT |
| 11108 | 11108HT |
| 11109 | 11109HT |
| 11110 | 11110HT |
| 11111 | 11111HT |
| 11112 | 11112HT |
| 11113 | 11113HT |
| 11114 | 11114HT |
| 11115 | 11115HT |
| 11116 | 11116HT |
| 11117 | 11117HT |
| 11118 | 11118HT |
| 11119 | 11119HT |
| 11120 | 11120HT |
| 11122 | 11122HT |
| 11124 | 11124HT |

Clamp Together Duct

Galvanized and Stainless Steel - Standard 5' Lengths



*Standard lock seam duct.
Plasma weld seams available.*

| Dia. | Part# | Std.Ga. | Hvy.Ga. |
|------|-------|---------|------------------|
| 3" | 10003 | 26 | to 11 ga. tubing |
| 4" | 10004 | 24 | to 11 ga. tubing |
| 5" | 10005 | 24 | to 11 ga. tubing |
| 6" | 10006 | 24 | to 11 ga. tubing |
| 7" | 10007 | 22 | To 14 ga. |
| 8" | 10008 | 22 | To 12 ga. |
| 9" | 10009 | 22 | To 10 ga. |
| 10" | 10010 | 22 | To 10 ga. |
| 11" | 10011 | 22 | To 10 ga. |
| 12" | 10012 | 22 | To 10 ga. |
| 13" | 10013 | 20 | To 10 ga. |
| 14" | 10014 | 20 | To 10 ga. |
| 15" | 10015 | 20 | To 10 ga. |
| 16" | 10016 | 20 | To 10 ga. |
| 17" | 10017 | 20 | To 10 ga. |
| 18" | 10018 | 20 | To 10 ga. |
| 19" | 10019 | 20 | To 10 ga. |
| 20" | 10020 | 20 | To 10 ga. |
| 22" | 10022 | 20 | To 10 ga. |
| 24" | 10024 | 20 | To 10 ga. |

If using Stainless Steel add an "SS" to the end of the part #.

HEAVY Gauge Duct is constructed with a welded seam and a standard gauge rolled lip "collar" is welded flush over the end.

Other ducting materials are also available.

Flanged Duct

Galvanized and Stainless Steel - Standard 5' Lengths



| Flange Duct (with flanges) | | |
|-------------------------------|-------|-----|
| Dia. | Part# | GA |
| 4" | 20004 | 24+ |
| 5" | 20005 | 24+ |
| 6" | 20006 | 24+ |
| 7" | 20007 | 22 |
| 8" | 20008 | 22 |
| 9" | 20009 | 22 |
| 10" | 20010 | 22 |
| 11" | 20011 | 22 |
| 12" | 20012 | 22 |
| 13" | 20013 | 20 |
| 14" | 20014 | 20 |
| 15" | 20015 | 20 |
| 16" | 20016 | 20 |
| 17" | 20017 | 20 |
| 18" | 20018 | 20 |
| 19" | 20019 | 20 |
| 20" | 20020 | 20 |
| 22" | 20022 | 20 |
| 24" | 20024 | 18 |
| 26" | 20026 | 18 |
| 28" | 20028 | 18 |
| 30" | 20030 | 18 |
| 32" | 20032 | 18 |
| 34" | 20034 | 18 |
| 36" | 20036 | 18 |
| 38" | 20038 | 18 |
| 40" | 20040 | 18 |
| 42" | 20042 | 16 |
| 44" | 20044 | 16 |
| 46" | 20046 | 16 |
| 48" | 20048 | 16 |

***If using Stainless Steel, add an "SS" to the end of the Part#.**

Flanged duct is available in 5' or 10' lengths. It is also available fully seam welded or in lock seamed joints. Lock seamed is only available in 5 foot sections .

Standard flanges are galvanized.

Available also in black iron, heavier gauges and larger sizes.

11" Standard Adjustable Sleeves



| Adjustable Sleeve | |
|-------------------|------|
| Part # | Dia. |
| 11003 | 3" |
| 11004 | 4" |
| 11005 | 5" |
| 11006 | 6" |
| 11007 | 7" |
| 11008 | 8" |
| 11009 | 9" |
| 11010 | 10" |
| 11011 | 11" |
| 11012 | 12" |
| 11013 | 13" |
| 11014 | 14" |
| 11015 | 15" |
| 11016 | 16" |
| 11017 | 17" |
| 11018 | 18" |
| 11019 | 19" |
| 11020 | 20" |
| 11022 | 22" |
| 11024 | 24" |

If using Stainless Steel add an "SS" to the end of the part #.

** 1- O-ring is supplied with each adjustable sleeve.

A field fitting adjustment is made by cutting a standard 5' duct section and slipping the Adjustable Sleeve over the cut end. The supplied O-ring replaces the rolled bead of the cut 5' duct section and secures the sleeve into place when clamped.

Additional O-rings may be needed when utilizing our Infinite Adjustability Feature with all K&B Duct standard fittings. A cut 5' duct section can be slipped into the collar of a fitting and secured into place with an O-ring when clamped.

***** Add "HT" to the part number to order Red Silicone O-rings with your Adjustable Sleeve.**

KB Duct Elbows Help You Make All The Right Turns!

Pressed Elbow - Constructed of galvanized steel ONLY. Available in sizes 3" to 10" and 12" diameter. Stamped halves that are welded together with a continuous "pressed" weld accomplished by using an inner and outer welding wheel. The KB Duct rolled lip collar is spot welded to the elbow and a beader forms the metal so that the ends of the metal are out of the air stream.

Pressed elbows are good for all dust applications. Larger sizes are recommended for light dust or air systems only, as their gauge is not as heavy as those of the other elbows offered.



Tubed Elbow - Constructed of galvanized or SS in sizes 3"-6" and 8" diameter (the ONLY SS elbow offered in smaller diameters). Tubed elbows are VERY heavy gauge tubing. Standard KB Duct collar applied in a slip over or into fashion. Elbows are unidirectional.

Tubed elbows are perfect for abrasive applications. They can be provided in long radius in smaller diameters. This is the best choice for a "completely" smooth (no gap) elbow. Interior buffing available for paper trim or fiber applications.



Gored Elbow - Constructed of galvanized or SS starting at 7" diameter. The gores (segments) are cut and then formed so that the ends of the gores are locked together. If heavy gauges are needed (greater than 18 gauge) the gores are butt welded. The number of gores varies with the size and angle of the elbow. Gored elbows can be made in ANY angle desired.

Gored elbows are good as an "all around" elbow, providing smooth interior and heavy duty construction. The interior can be used for paper trim and fiber applications.



Elbow - Pressed Halves



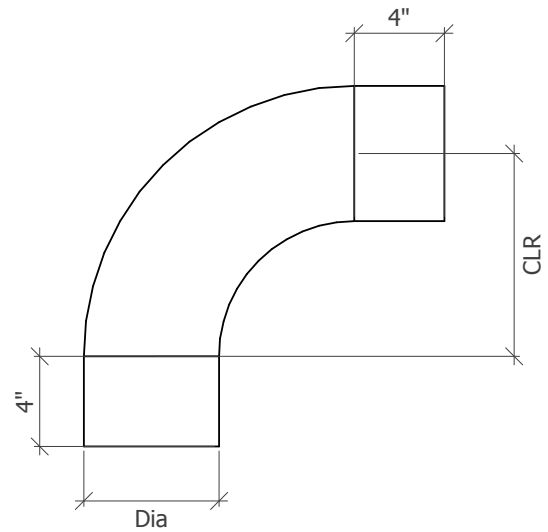
| Standard Radius (1.5 x D) | | | | | |
|---------------------------|----------|----------|----------|----------|----|
| Dia. | 90 deg | 60 deg | 45 deg | 30 deg | GA |
| | Part# | Part# | Part# | Part# | |
| 3" | 12303.90 | 12303.60 | 12303.45 | 12303.30 | 22 |
| 4" | 12304.90 | 12304.60 | 12304.45 | 12304.30 | 22 |
| 5" | 12305.90 | 12305.60 | 12305.45 | 12305.30 | 22 |
| 6" | 12306.90 | 12306.60 | 12306.45 | 12306.30 | 22 |
| 7" | 12307.90 | 12307.60 | 12307.45 | 12307.30 | 22 |
| 8" | 12308.90 | 12308.60 | 12308.45 | 12308.30 | 22 |
| 9" | 12309.90 | 12309.60 | 12309.45 | 12309.30 | 22 |
| 10" | 12310.90 | 12310.60 | 12310.45 | 12310.30 | 22 |
| 12" | 12312.90 | 12312.60 | 12312.45 | 12312.30 | 22 |

CONSTRUCTION:

Available in galvanized only. They are constructed of stamped halves that are then welded with a stitch weld that is accomplished by using an inner and outer welding wheel.

APPLICATION:

Sizes 3" through 6" are good for most dust applications. Sizes 7" through 12" are recommended for light dust, oil mist and fume.

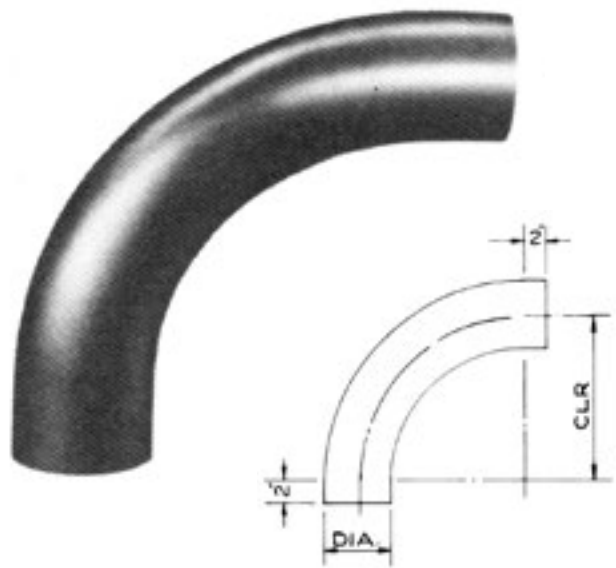


Elbows - Tubed Standard and Flanged



| Standard Radius (1.5 x D) | | | | | |
|---------------------------|----------|----------|----------|----------|----|
| | 90 deg | 60 deg | 45 deg | 30 deg | |
| Dia. | Part# | Part# | Part# | Part# | GA |
| 3" | 12403.90 | 12403.60 | 12403.45 | 12403.30 | 16 |
| 4" | 12404.90 | 12404.60 | 12404.45 | 12404.30 | 16 |
| 5" | 12405.90 | 12405.60 | 12405.45 | 12405.30 | 14 |
| 6" | 12406.90 | 12406.60 | 12406.45 | 12406.30 | 14 |
| 8" | 12408.90 | 12408.60 | 12408.45 | 12408.30 | 14 |

| Standard Radius (2.5 x D) | | | | | |
|---------------------------|-----------|-----------|-----------|-----------|----|
| | 90 deg | 60 deg | 45 deg | 30 deg | |
| Dia. | Part# | Part# | Part# | Part# | GA |
| 3" | 12403.90L | 12403.60L | 12403.45L | 12403.30L | 16 |
| 4" | 12404.90L | 12404.60L | 12404.45L | 12404.30L | 16 |
| 5" | 12405.90L | 12405.60L | 12405.45L | 12405.30L | 14 |
| 6" | 12406.90L | 12406.60L | 12406.45L | 12406.30L | 14 |
| 8" | 12408.90L | 12408.60L | 12408.45L | 12408.30L | 14 |



| Standard Radius (1.5 x D) | | | | | |
|---------------------------|----------|----------|----------|----------|----|
| | 90 deg | 60 deg | 45 deg | 30 deg | |
| Dia. | Part# | Part# | Part# | Part# | GA |
| 3" | 22403.90 | 22403.60 | 22403.45 | 22403.30 | 16 |
| 4" | 22404.90 | 22404.60 | 22404.45 | 22404.30 | 16 |
| 5" | 22405.90 | 22405.60 | 22405.45 | 22405.30 | 14 |
| 6" | 22406.90 | 22406.60 | 22406.45 | 22406.30 | 14 |
| 8" | 22408.90 | 22408.60 | 22408.45 | 22408.30 | 14 |

| Standard Radius (2.5 x D) | | | | | |
|---------------------------|-----------|-----------|-----------|-----------|----|
| | 90 deg | 60 deg | 45 deg | 30 deg | |
| Dia. | Part# | Part# | Part# | Part# | GA |
| 3" | 22403.90L | 22403.60L | 22403.45L | 22403.30L | 16 |
| 4" | 22404.90L | 22404.60L | 22404.45L | 22404.30L | 16 |
| 5" | 22405.90L | 22405.60L | 22405.45L | 22405.30L | 14 |
| 6" | 22406.90L | 22406.60L | 22406.45L | 22406.30L | 14 |
| 8" | 22408.90L | 22408.60L | 22408.45L | 22408.30L | 14 |

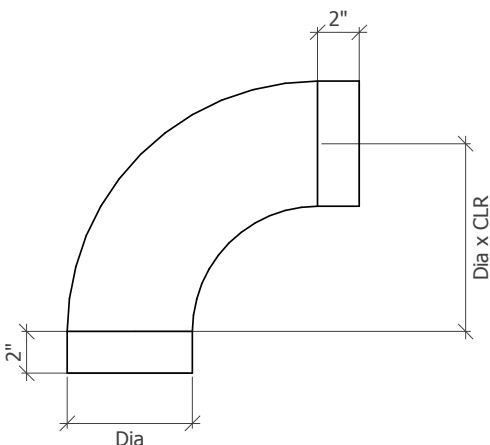
If using Stainless Steel add an "SS" to the end of the part #.

APPLICATION:
Tubed Elbows have a smooth interior and are typically utilized in paper, fiber, FDA and heavy abrasive applications.

All sizes available in 11 gauge.

Elbows - Gored Standard

Segmented



If using Stainless Steel add an "SS" to the end of the part #.

CONSTRUCTION:

Available in galvanized or SS. Starting at size 7", the gored (segments) are cut and then formed so the ends of the gores are locked together. The number of gores varies with the size and angle of the elbow.

**While standard 1.5 and 2.5 center line radii are shown other radii and custom angles are also available.

APPLICATION:

In the event heavy gauges are needed (greater than 18 gauge) the gores are butt welded. The interior can be buffed for paper trim and fiber applications. The rolled lip collar adds a 2" tangent to the length of the elbow. For heavy gauge elbows the 2" collar is welded flush.

| Standard Radius (1.5 x D) | | | | | |
|---------------------------|----------|----------|----------|----------|----|
| | 90 deg | 60 deg | 45 deg | 30 deg | |
| Dia. | Part# | Part# | Part# | Part# | GA |
| 7" | 12007.90 | 12007.60 | 12007.45 | 12007.30 | 20 |
| 8" | 12008.90 | 12008.60 | 12008.45 | 12008.30 | 20 |
| 9" | 12009.90 | 12009.60 | 12009.45 | 12009.30 | 20 |
| 10" | 12010.90 | 12010.60 | 12010.45 | 12010.30 | 20 |
| 11" | 12011.90 | 12011.60 | 12011.45 | 12011.30 | 18 |
| 12" | 12012.90 | 12012.60 | 12012.45 | 12012.30 | 18 |
| 13" | 12013.90 | 12013.60 | 12013.45 | 12013.30 | 18 |
| 14" | 12014.90 | 12014.60 | 12014.45 | 12014.30 | 18 |
| 15" | 12015.90 | 12015.60 | 12015.45 | 12015.30 | 18 |
| 16" | 12016.90 | 12016.60 | 12016.45 | 12016.30 | 18 |
| 17" | 12017.90 | 12017.60 | 12017.45 | 12017.30 | 18 |
| 18" | 12018.90 | 12018.60 | 12018.45 | 12018.30 | 18 |
| 19" | 12019.90 | 12019.60 | 12019.45 | 12019.30 | 18 |
| 20" | 12020.90 | 12020.60 | 12020.45 | 12020.30 | 18 |
| 22" | 12022.90 | 12022.60 | 12022.45 | 12022.30 | 18 |
| 24" | 12024.90 | 12024.60 | 12024.45 | 12024.30 | 18 |

| Long Radius (2.5 x D) | | | | | |
|-----------------------|-----------|-----------|-----------|-----------|----|
| | 90 deg | 60 deg | 45 deg | 30 deg | |
| Dia. | Part# | Part# | Part# | Part# | GA |
| 7" | 12007.90L | 12007.60L | 12007.45L | 12007.30L | 20 |
| 8" | 12008.90L | 12008.60L | 12008.45L | 12008.30L | 20 |
| 9" | 12009.90L | 12009.60L | 12009.45L | 12009.30L | 20 |
| 10" | 12010.90L | 12010.60L | 12010.45L | 12010.30L | 20 |
| 11" | 12011.90L | 12011.60L | 12011.45L | 12011.30L | 18 |
| 12" | 12012.90L | 12012.60L | 12012.45L | 12012.30L | 18 |
| 13" | 12013.90L | 12013.60L | 12013.45L | 12013.30L | 18 |
| 14" | 12014.90L | 12014.60L | 12014.45L | 12014.30L | 18 |
| 15" | 12015.90L | 12015.60L | 12015.45L | 12015.30L | 18 |
| 16" | 12016.90L | 12016.60L | 12016.45L | 12016.30L | 18 |
| 17" | 12017.90L | 12017.60L | 12017.45L | 12017.30L | 18 |
| 18" | 12018.90L | 12018.60L | 12018.45L | 12018.30L | 18 |
| 19" | 12019.90L | 12019.60L | 12019.45L | 12019.30L | 18 |
| 20" | 12020.90L | 12020.60L | 12020.45L | 12020.30L | 18 |
| 22" | 12022.90L | 12022.60L | 12022.45L | 12022.30L | 18 |
| 24" | 12024.90L | 12024.60L | 12024.45L | 12024.30L | 18 |

Elbows - Gored Flanged

Segmented



***If using Stainless Steel, add an "SS" to the end of the Part#.**

Available in heavier gauges and larger sizes.

| Standard Radius (1.5) | | | | | |
|-----------------------|----------|----------|----------|----------|----|
| | 90 deg | 60 deg | 45 deg | 30 deg | |
| Dia. | Part# | Part# | Part# | Part# | GA |
| 7" | 22007.90 | 22007.60 | 22007.45 | 22007.30 | 20 |
| 8" | 22008.90 | 22008.60 | 22008.45 | 22008.30 | 20 |
| 9" | 22009.90 | 22009.60 | 22009.45 | 22009.30 | 20 |
| 10" | 22010.90 | 22010.60 | 22010.45 | 22010.30 | 20 |
| 11" | 22011.90 | 22011.60 | 22011.45 | 22011.30 | 20 |
| 12" | 22012.90 | 22012.60 | 22012.45 | 22012.30 | 20 |
| 13" | 22013.90 | 22013.60 | 22013.45 | 22013.30 | 18 |
| 14" | 22014.90 | 22014.60 | 22014.45 | 22014.30 | 18 |
| 15" | 22015.90 | 22015.60 | 22015.45 | 22015.30 | 18 |
| 16" | 22016.90 | 22016.60 | 22016.45 | 22016.30 | 18 |
| 17" | 22017.90 | 22017.60 | 22017.45 | 22017.30 | 18 |
| 18" | 22018.90 | 22018.60 | 22018.45 | 22018.30 | 18 |
| 19" | 22019.90 | 22019.60 | 22019.45 | 22019.30 | 18 |
| 20" | 22020.90 | 22020.60 | 22020.45 | 22020.30 | 18 |
| 21" | 22021.90 | 22021.60 | 22021.45 | 22021.30 | 18 |
| 22" | 22022.90 | 22022.60 | 22022.45 | 22022.30 | 18 |
| 23" | 22023.90 | 22023.60 | 22023.45 | 22023.30 | 18 |
| 24" | 22024.90 | 22024.60 | 22024.45 | 22024.30 | 18 |

| Long Radius (2.5) | | | | | |
|-------------------|-----------|-----------|-----------|-----------|----|
| | 90 deg | 60 deg | 45 deg | 30 deg | |
| Dia. | Part# | Part# | Part# | Part# | GA |
| 7" | 22007.90L | 22007.60L | 22007.45L | 22007.30L | 20 |
| 8" | 22008.90L | 22008.60L | 22008.45L | 22008.30L | 20 |
| 9" | 22009.90L | 22009.60L | 22009.45L | 22009.30L | 20 |
| 10" | 22010.90L | 22010.60L | 22010.45L | 22010.30L | 20 |
| 11" | 22011.90L | 22011.60L | 22011.45L | 22011.30L | 20 |
| 12" | 22012.90L | 22012.60L | 22012.45L | 22012.30L | 20 |
| 13" | 22013.90L | 22013.60L | 22013.45L | 22013.30L | 18 |
| 14" | 22014.90L | 22014.60L | 22014.45L | 22014.30L | 18 |
| 15" | 22015.90L | 22015.60L | 22015.45L | 22015.30L | 18 |
| 16" | 22016.90L | 22016.60L | 22016.45L | 22016.30L | 18 |
| 17" | 22017.90L | 22017.60L | 22017.45L | 22017.30L | 18 |
| 18" | 22018.90L | 22018.60L | 22018.45L | 22018.30L | 18 |
| 19" | 22019.90L | 22019.60L | 22019.45L | 22019.30L | 18 |
| 20" | 22020.90L | 22020.60L | 22020.45L | 22020.30L | 18 |
| 21" | 22021.90L | 22021.60L | 22021.45L | 22021.30L | 18 |
| 22" | 22022.90L | 22022.60L | 22022.45L | 22022.30L | 18 |
| 23" | 22023.90L | 22023.60L | 22023.45L | 22023.30L | 18 |
| 24" | 22024.90L | 22024.60L | 22024.45L | 22024.30L | 18 |

KB Duct Branches are Available in All Sizes and Styles

KB Duct branches are available in single, double lateral, T, Y-branches, in clamp together, raw end and flanged styles.

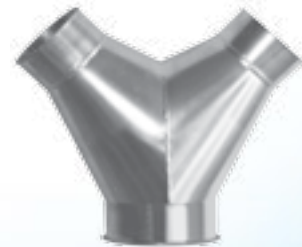
Lateral Branches - Available in single and double branches, the duct tapers as the new line enters the main line. The new line is bringing in more air. The exiting part of the branch (toward the fan) is therefore bigger to accommodate the increase in air. The new line normally enters at 30 or 45 degree and merges into the air flow.



T Branches - T branches are named for the 90 degree angle of the branch, similar to a "T". T branches do not provide the best air flow for negative systems as they increase static pressure and can cause the air to flow past the side line and pull only from the straight end where the flow is easier. T branches are often used in positive systems- where the air is being pushed.



Y-Branches - Consist of two inlets diverging from the center line. Once again, the volume of the outlet is the sum of the two inlets. Typically the two inlets are the same size. If one needs to be smaller than the other, the branch is made with the two inlets equal to the largest requirement and then a reducer is used to reduce to the smaller requirement.



Incuts - Incuts are used to create a branch on an existing trunk line. To create a new branch with an incut, a hole is cut in the pipe at the location of the branch. The incut is saddled over the hole and fastened with tech screws and caulked.



Double Lateral Branches



| Dia. | 30 deg | 45 deg | GA |
|------|----------|----------|----|
| | Part# | Part# | |
| 3" | 14103.30 | 14103.45 | 18 |
| 4" | 14104.30 | 14104.45 | 18 |
| 5" | 14105.30 | 14105.45 | 18 |
| 6" | 14106.30 | 14106.45 | 18 |
| 7" | 14107.30 | 14107.45 | 18 |
| 8" | 14108.30 | 14108.45 | 18 |
| 9" | 14109.30 | 14109.45 | 18 |
| 10" | 14110.30 | 14110.45 | 18 |
| 11" | 14111.30 | 14111.45 | 18 |
| 12" | 14112.30 | 14112.45 | 18 |
| 13" | 14113.30 | 14113.45 | 18 |
| 14" | 14114.30 | 14114.45 | 18 |
| 15" | 14115.30 | 14115.45 | 18 |
| 16" | 14116.30 | 14116.45 | 18 |
| 17" | 14117.30 | 14117.45 | 18 |
| 18" | 14118.30 | 14118.45 | 18 |
| 19" | 14119.30 | 14119.45 | 18 |
| 20" | 14120.30 | 14120.45 | 18 |
| 22" | 14122.30 | 14122.45 | 18 |
| 24" | 14124.30 | 14124.45 | 18 |

Branches

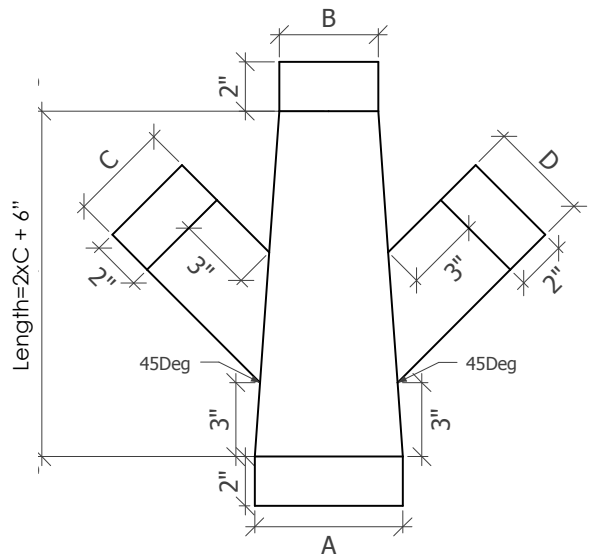
If using Stainless Steel add an "SS" to the end of the part #.

CONSTRUCTION:

18 gauge with fully welded branch taps. The formula for determining the length of each Standard Double Branch is shown to the right.

Sized and priced by the large end ("A" Dimension).

*Heavier gauges and fully welded options are available.



Double Lateral Branches - Flanged



Galvanized and Stainless Steel

***If using Stainless Steel, add an "SS" to the end of the Part#.**

Available in heavier gauges and larger sizes.

| Part # s | | | |
|----------|---------|----------|----|
| Dia. | 30 deg | 45 deg | GA |
| 4" | 24104.3 | 24104.45 | 18 |
| 5" | 24105.3 | 24105.45 | 18 |
| 6" | 24106.3 | 24106.45 | 18 |
| 7" | 24107.3 | 24107.45 | 18 |
| 8" | 24108.3 | 24108.45 | 18 |
| 9" | 24109.3 | 24109.45 | 18 |
| 10" | 24110.3 | 24110.45 | 18 |
| 11" | 24111.3 | 24111.45 | 18 |
| 12" | 24112.3 | 24112.45 | 18 |
| 13" | 24113.3 | 24113.45 | 18 |
| 14" | 24114.3 | 24114.45 | 18 |
| 15" | 24115.3 | 24115.45 | 18 |
| 16" | 24116.3 | 24116.45 | 18 |
| 17" | 24117.3 | 24117.45 | 18 |
| 18" | 24118.3 | 24118.45 | 18 |
| 19" | 24119.3 | 24119.45 | 18 |
| 20" | 24120.3 | 24120.45 | 18 |
| 22" | 24122.3 | 24124.45 | 18 |
| 24" | 24124.3 | 24124.45 | 18 |

Lateral Branches



| Dia. | 30 deg | 45 deg | GA |
|------|----------|----------|----|
| | Part# | Part# | |
| 4" | 14004.30 | 14004.45 | 18 |
| 5" | 14005.30 | 14005.45 | 18 |
| 6" | 14006.30 | 14006.45 | 18 |
| 7" | 14007.30 | 14007.45 | 18 |
| 8" | 14008.30 | 14008.45 | 18 |
| 9" | 14009.30 | 14009.45 | 18 |
| 10" | 14010.30 | 14010.45 | 18 |
| 11" | 14011.30 | 14011.45 | 18 |
| 12" | 14012.30 | 14012.45 | 18 |
| 13" | 14013.30 | 14013.45 | 18 |
| 14" | 14014.30 | 14014.45 | 18 |
| 15" | 14015.30 | 14015.45 | 18 |
| 16" | 14016.30 | 14016.45 | 18 |
| 17" | 14017.30 | 14017.45 | 18 |
| 18" | 14018.30 | 14018.45 | 18 |
| 19" | 14019.30 | 14019.45 | 18 |
| 20" | 14020.30 | 14020.45 | 18 |
| 22" | 14022.30 | 14022.45 | 18 |
| 24" | 14024.30 | 14024.45 | 18 |

If using Stainless Steel add an "SS" to the end of the part #.

CONSTRUCTION:

18 gauge with a fully welded branch tap. The seam of the branch is lapped, spot welded and caulked. The formula for determining the length of each Standard Branch is shown to the right.

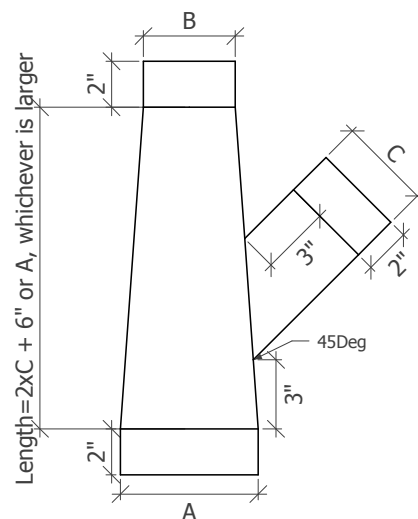
Sized and priced by the large end ("A" Dimension).

*Heavier gauges and fully welded options are available.

Dimensions on the branch are called out by A-B-C where C is the branch.

* "C" can not be larger than "A" or "B" on lateral branches

Note: These dims change when material thickness is heavier than 18 ga.



Lateral Branches - Flanged



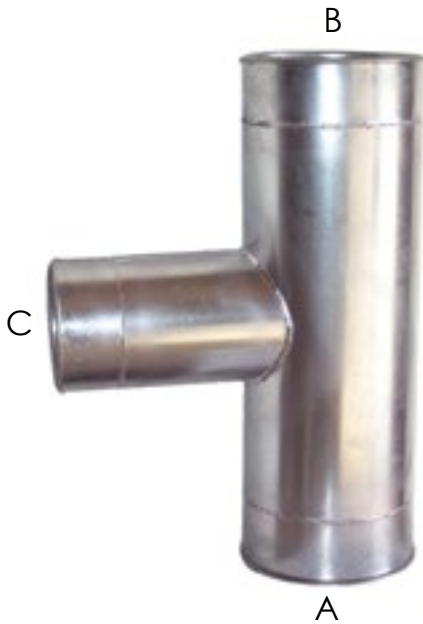
Galvanized and Stainless Steel

| | 30 deg | 45 deg | |
|------|----------|----------|----|
| Dia. | Part # | Part # | GA |
| 4" | 24004.30 | 24004.45 | 18 |
| 5" | 24005.30 | 24005.45 | 18 |
| 6" | 24006.30 | 24006.45 | 18 |
| 7" | 24007.30 | 24007.45 | 18 |
| 8" | 24008.30 | 24008.45 | 18 |
| 9" | 24009.30 | 24009.45 | 18 |
| 10" | 24010.30 | 24010.45 | 18 |
| 11" | 24011.30 | 24011.45 | 18 |
| 12" | 24012.30 | 24012.45 | 18 |
| 13" | 24013.30 | 24013.45 | 18 |
| 14" | 24014.30 | 24014.45 | 18 |
| 15" | 24015.30 | 24015.45 | 18 |
| 16" | 24016.30 | 24016.45 | 18 |
| 17" | 24017.30 | 24017.45 | 18 |
| 18" | 24018.30 | 24018.45 | 18 |
| 19" | 24019.30 | 24019.45 | 18 |
| 20" | 24020.30 | 24020.45 | 18 |
| 22" | 24022.30 | 24022.45 | 18 |
| 24" | 24024.30 | 24024.45 | 18 |
| 26" | 24026.30 | 24026.45 | 16 |
| 28" | 24028.30 | 24028.45 | 16 |
| 30" | 24030.30 | 24030.45 | 16 |
| 32" | 24032.30 | 24032.45 | 16 |

***If using Stainless Steel, add an "SS" to the end of the Part#.**

Available in heavier gauges and larger sizes.

T-Branches



| Standard | | |
|----------|----------|----|
| Dia. | T-branch | GA |
| | Part# | |
| 3" | 14303 | 18 |
| 4" | 14304 | 18 |
| 5" | 14305 | 18 |
| 6" | 14306 | 18 |
| 7" | 14307 | 18 |
| 8" | 14308 | 18 |
| 9" | 14309 | 18 |
| 10" | 14310 | 18 |
| 11" | 14311 | 18 |
| 12" | 14312 | 18 |
| 13" | 14313 | 18 |
| 14" | 14314 | 18 |
| 15" | 14315 | 18 |
| 16" | 14316 | 18 |
| 17" | 14317 | 18 |
| 18" | 14318 | 18 |
| 19" | 14319 | 18 |
| 20" | 14320 | 18 |
| 22" | 14322 | 18 |
| 24" | 14324 | 18 |

| Flanged | | |
|---------|----------|----|
| Dia. | T-branch | GA |
| | Part# | |
| 3" | 24303 | 18 |
| 4" | 24304 | 18 |
| 5" | 24305 | 18 |
| 6" | 24306 | 18 |
| 7" | 24307 | 18 |
| 8" | 24308 | 18 |
| 9" | 24309 | 18 |
| 10" | 24310 | 18 |
| 11" | 24311 | 18 |
| 12" | 24312 | 18 |
| 13" | 24313 | 18 |
| 14" | 24314 | 18 |
| 15" | 24315 | 18 |
| 16" | 24316 | 18 |
| 17" | 24317 | 18 |
| 18" | 24318 | 18 |
| 19" | 24319 | 18 |
| 20" | 24320 | 18 |
| 22" | 24322 | 18 |
| 24" | 24324 | 18 |

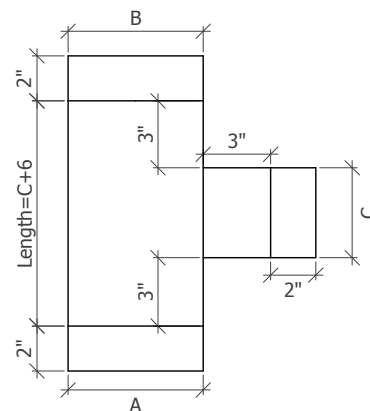
If using Stainless Steel add an "SS" to the end of the part #.

CONSTRUCTION:

18 gauge with a fully welded branch tap. The seam of the branch is lapped, spot welded and caulked. The formula for determining the length of each Standard Branch is shown to the right.

Sized and priced by the large end ("A" Dimension).

*Heavier gauges and fully welded options are available.



Y Branches



| Dia. | 30 deg | 45 deg | GA |
|------|----------|----------|----|
| | Part# | Part# | |
| 3" | 14203.30 | 14203.45 | 18 |
| 4" | 14204.30 | 14204.45 | 18 |
| 5" | 14205.30 | 14205.45 | 18 |
| 6" | 14206.30 | 14206.45 | 18 |
| 7" | 14207.30 | 14207.45 | 18 |
| 8" | 14208.30 | 14208.45 | 18 |
| 9" | 14209.30 | 14209.45 | 18 |
| 10" | 14210.30 | 14210.45 | 18 |
| 11" | 14211.30 | 14211.45 | 18 |
| 12" | 14212.30 | 14212.45 | 18 |
| 13" | 14213.30 | 14213.45 | 18 |
| 14" | 14214.30 | 14214.45 | 18 |
| 15" | 14215.30 | 14215.45 | 18 |
| 16" | 14216.30 | 14216.45 | 18 |
| 17" | 14217.30 | 14217.45 | 18 |
| 18" | 14218.30 | 14218.45 | 18 |
| 19" | 14219.30 | 14219.45 | 18 |
| 20" | 14220.30 | 14220.45 | 18 |
| 22" | 14222.30 | 14222.45 | 18 |
| 24" | 14224.30 | 14224.45 | 18 |

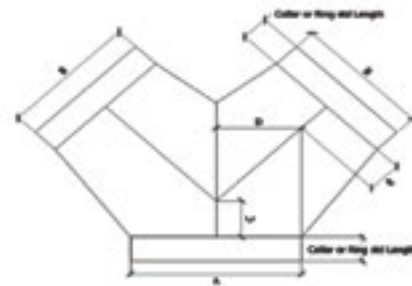
If using Stainless Steel add an "SS" to the end of the part #.

CONSTRUCTION:

18 gauge. The halves are fully welded at the seam. The formula for determining the length of each Y Branch is shown to the right.

Sized and priced by the large end ("A" Dimension).

*Heavier gauges and fully welded options are available.



Y Branch 30 or 45 deg

| A | B | C | D | E |
|---------|--------|---------------------------|----------|----------|
| 6" & Up | Varies | 1/4 of A + Collar or Ring | 1/2 of A | 1/4 of B |

Y-Branches - Flanged



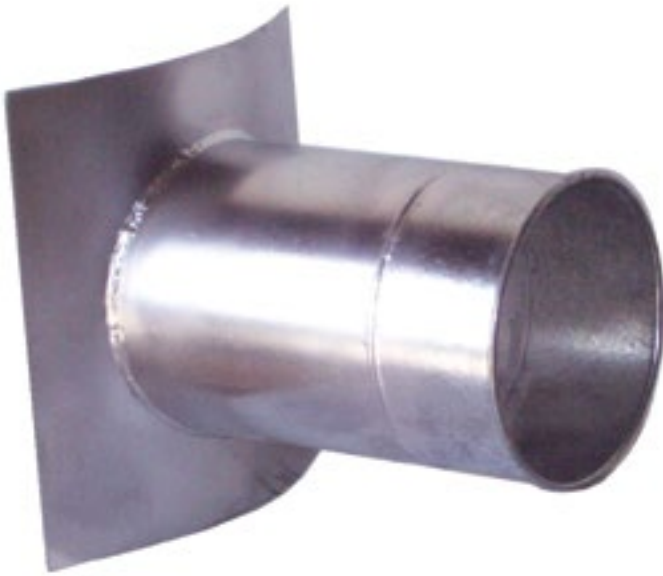
Galvanized and Stainless Steel

***If using Stainless Steel, add an "SS" to the end of the Part#.**

Available in heavier gauges and larger sizes.

| | Part # | Part # | |
|------|---------|----------|----|
| Dia. | 30 deg | 45 deg | GA |
| 4" | 24204.3 | 24204.45 | 18 |
| 5" | 24205.3 | 24205.45 | 18 |
| 6" | 24206.3 | 24206.45 | 18 |
| 7" | 24207.3 | 24207.45 | 18 |
| 8" | 24208.3 | 24208.45 | 18 |
| 9" | 24209.3 | 24209.45 | 18 |
| 10" | 24210.3 | 24210.45 | 18 |
| 11" | 24211.3 | 24211.45 | 18 |
| 12" | 24212.3 | 24212.45 | 18 |
| 13" | 24213.3 | 24213.45 | 18 |
| 14" | 24214.3 | 24214.45 | 18 |
| 15" | 24215.3 | 24215.45 | 18 |
| 16" | 24216.3 | 24216.45 | 18 |
| 17" | 24217.3 | 24217.45 | 18 |
| 18" | 24218.3 | 24218.45 | 18 |
| 19" | 24219.3 | 24219.45 | 18 |
| 20" | 24220.3 | 24220.45 | 18 |
| 22" | 24222.3 | 24222.45 | 18 |
| 24" | 24224.3 | 24224.45 | 18 |
| 26" | 24226.3 | 24226.45 | 16 |
| 28" | 24228.3 | 24228.45 | 16 |
| 30" | 24230.3 | 24230.45 | 16 |
| 32" | 24232.3 | 24232.45 | 16 |
| 34" | 24234.3 | 24234.45 | 16 |
| 36" | 24236.3 | 24236.45 | 16 |
| 38" | 24238.3 | 24238.45 | 16 |
| 40" | 24240.3 | 24240.45 | 16 |
| 42" | 24242.3 | 24242.45 | 16 |
| 44" | 24244.3 | 24244.45 | 16 |
| 46" | 24246.3 | 24246.45 | 16 |
| 48" | 24248.3 | 24248.45 | 16 |

In-Cuts



| Dia. | 30 deg | 45 deg | Tee' | GA |
|------|----------|----------|-------|----|
| | Part# | Part# | Part# | |
| 3" | 14403.30 | 14403.45 | 14503 | 18 |
| 4" | 14404.30 | 14404.45 | 14504 | 18 |
| 5" | 14405.30 | 14405.45 | 14505 | 18 |
| 6" | 14406.30 | 14406.45 | 14506 | 18 |
| 7" | 14407.30 | 14407.45 | 14507 | 18 |
| 8" | 14408.30 | 14408.45 | 14508 | 18 |
| 9" | 14409.30 | 14409.45 | 14509 | 18 |
| 10" | 14410.30 | 14410.45 | 14510 | 18 |
| 11" | 14411.30 | 14411.45 | 14511 | 18 |
| 12" | 14412.30 | 14412.45 | 14512 | 18 |
| 13" | 14413.30 | 14413.45 | 14513 | 18 |
| 14" | 14414.30 | 14414.45 | 14514 | 18 |
| 15" | 14415.30 | 14415.45 | 14515 | 18 |
| 16" | 14416.30 | 14416.45 | 14516 | 18 |
| 17" | 14417.30 | 14417.45 | 14517 | 18 |
| 18" | 14418.30 | 14418.45 | 14518 | 18 |
| 19" | 14419.30 | 14419.45 | 14519 | 18 |
| 20" | 14420.30 | 14420.45 | 14520 | 18 |
| 22" | 14422.30 | 14422.45 | 14522 | 18 |
| 24" | 14424.30 | 14424.45 | 14524 | 18 |

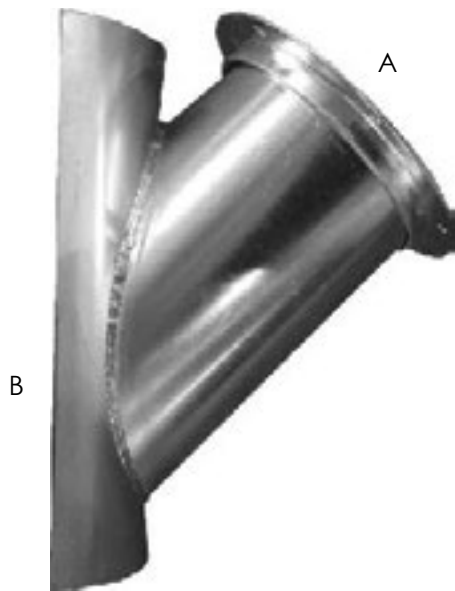
If using Stainless Steel add an "SS" to the end of the part #.

CONSTRUCTION:

18 gauge. Fully welded tap. Standard tap length is 5". In cuts are designed for quick introduction of a lateral line to an existing trunk line. Part numbers and pricing are determined by the tap dimension.

*Heavy gauges are available.

In-Cuts - Flanged



Galvanized and Stainless Steel

| | Part # | Part # | |
|------|---------|----------|----|
| Dia. | 30 deg | 45 deg | GA |
| 24" | 24424.3 | 24424.45 | 18 |
| 26" | 24426.3 | 24426.45 | 18 |
| 28" | 24428.3 | 24428.45 | 18 |
| 30" | 24430.3 | 24430.45 | 16 |
| 32" | 24432.3 | 24432.45 | 16 |
| 34" | 24434.3 | 24434.45 | 16 |
| 36" | 24436.3 | 24436.45 | 16 |
| 38" | 24438.3 | 24438.45 | 16 |
| 40" | 24440.3 | 24440.45 | 16 |
| 42" | 24442.3 | 24442.45 | 16 |
| 44" | 24444.3 | 24444.45 | 16 |
| 46" | 24446.3 | 24446.45 | 16 |
| 48" | 24448.3 | 24448.45 | 16 |

***If using Stainless Steel, add an "SS" to the end of the Part#.**

Available in heavier gauges and larger sizes.

KB Duct Adapters Are Your Connection to Productivity

Adapters can be made to fit ANY AND ALL existing duct, hood connections, valves, collectors, machine ports, gates, etc. The ends can be fitted with a flange, expanded out, or pulled in to fit a specified dimension.



Adapters - Standard and Flanged

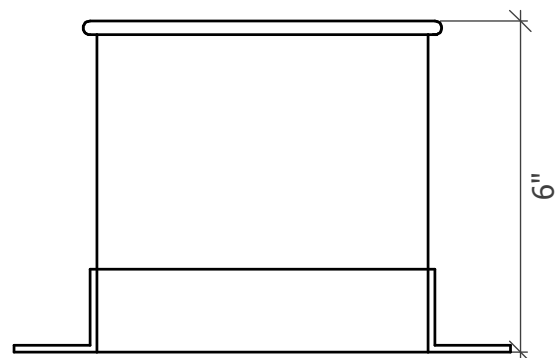


| Dia. | Straight (non flanged) | Flanged | GA |
|------|---------------------------|---------|----|
| | Part# | Part# | |
| 3" | 15003 | 15103 | 24 |
| 4" | 15004 | 15104 | 24 |
| 5" | 15005 | 15105 | 24 |
| 6" | 15006 | 15106 | 24 |
| 7" | 15007 | 15107 | 22 |
| 8" | 15008 | 15108 | 22 |
| 9" | 15009 | 15109 | 22 |
| 10" | 15010 | 15110 | 22 |
| 11" | 15011 | 15111 | 22 |
| 12" | 15012 | 15112 | 22 |
| 13" | 15013 | 15113 | 20 |
| 14" | 15014 | 15114 | 20 |
| 15" | 15015 | 15115 | 20 |
| 16" | 15016 | 15116 | 20 |
| 17" | 15017 | 15117 | 20 |
| 18" | 15018 | 15118 | 20 |
| 19" | 15019 | 15119 | 20 |
| 20" | 15020 | 15120 | 20 |
| 22" | 15022 | 15122 | 20 |
| 24" | 15024 | 15124 | 20 |

If using Stainless Steel add an "SS" to the end of the part #.

Adapters can be made to fit ANY AND ALL existing duct, hood connections, valves, collectors, machine ports, gates, etc. The ends can be fitted with a flange, expanded out, or pulled in to fit a specified dimension. Adapters requiring greater than 1/8" increase or decrease from given size will be priced as a reducer.

*Heavier gauges and fully welded options are available.



Hose Adapters



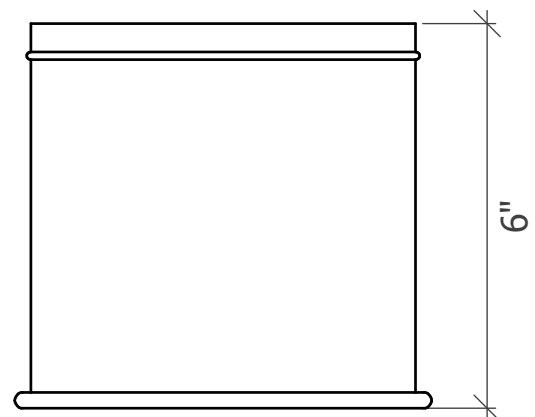
| Dia. | Part# | GA |
|------|-------|----|
| 3" | 15203 | 24 |
| 4" | 15204 | 24 |
| 5" | 15205 | 24 |
| 6" | 15206 | 24 |
| 7" | 15207 | 22 |
| 8" | 15208 | 22 |
| 9" | 15209 | 22 |
| 10" | 15210 | 22 |
| 11" | 15211 | 22 |
| 12" | 15212 | 22 |
| 13" | 15213 | 20 |
| 14" | 15214 | 20 |
| 15" | 15215 | 20 |
| 16" | 15216 | 20 |
| 17" | 15217 | 20 |
| 18" | 15218 | 20 |
| 19" | 15219 | 20 |
| 20" | 15220 | 20 |
| 22" | 15222 | 20 |
| 24" | 15224 | 20 |

If using Stainless Steel add an "SS" to the end of the part #.

Hose Adapters are typically slipped into hose on one end and adapted to your ducting system on the other end. The "hose end" comes with a beaded rib to prevent hose from slipping off during use.

Adapters requiring greater than 1/8" increase or decrease from given size will be priced as a reducer.

*Heavier gauges and fully welded options are available.



Reducers



| Dia. | Part# | GA |
|------|-------|----|
| 3" | 16003 | 18 |
| 4" | 16004 | 18 |
| 5" | 16005 | 18 |
| 6" | 16006 | 18 |
| 7" | 16007 | 18 |
| 8" | 16008 | 18 |
| 9" | 16009 | 18 |
| 10" | 16010 | 18 |
| 11" | 16011 | 18 |
| 12" | 16012 | 18 |
| 13" | 16013 | 18 |
| 14" | 16014 | 18 |
| 15" | 16015 | 18 |
| 16" | 16016 | 18 |
| 17" | 16017 | 18 |
| 18" | 16018 | 18 |
| 19" | 16019 | 18 |
| 20" | 16020 | 18 |
| 22" | 16022 | 18 |
| 24" | 16024 | 18 |

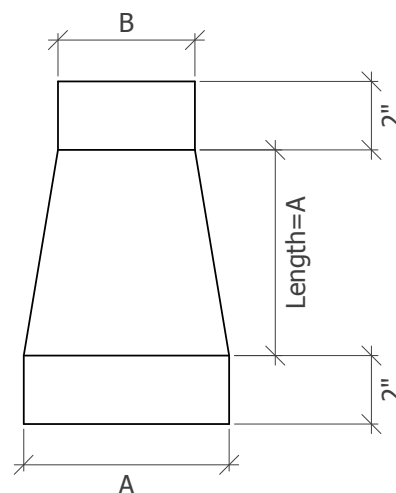
If using Stainless Steel add an "SS" to the end of the part #.

CONSTRUCTION:

18 gauge. The taper is lapped, spot welded and caulked.

Sized and priced by the large end ("A" Dimension).

*Heavier gauges and full welded options are available.



Reducers-Flanged



Galvanized and Stainless Steel

***If using Stainless Steel, add an "SS" to the end of the Part#.**

Reducers are priced by large end.

Available in heavier gauges and larger sizes.

Call for pricing.

| Dia. | Part# | GA |
|------|-------|----|
| 4" | 26004 | 18 |
| 5" | 26005 | 18 |
| 6" | 26006 | 18 |
| 7" | 26007 | 18 |
| 8" | 26008 | 18 |
| 9" | 26009 | 18 |
| 10" | 26010 | 18 |
| 11" | 26011 | 18 |
| 12" | 26012 | 18 |
| 13" | 26013 | 18 |
| 14" | 26014 | 18 |
| 15" | 26015 | 18 |
| 16" | 26016 | 18 |
| 17" | 26017 | 18 |
| 18" | 26018 | 18 |
| 19" | 26019 | 18 |
| 20" | 26020 | 18 |
| 21" | 26021 | 18 |
| 22" | 26022 | 18 |
| 23" | 26023 | 18 |
| 24" | 26024 | 18 |
| 25" | 26025 | 18 |
| 26" | 26026 | 16 |
| 27" | 26027 | 16 |
| 28" | 26028 | 16 |
| 29" | 26029 | 16 |
| 30" | 26030 | 16 |
| 31" | 26031 | 16 |
| 32" | 26032 | 16 |
| 33" | 26033 | 16 |
| 34" | 26034 | 16 |
| 35" | 26035 | 16 |
| 36" | 26036 | 16 |
| 37" | 26037 | 16 |
| 38" | 26038 | 16 |
| 39" | 26039 | 16 |
| 40" | 26040 | 16 |
| 41" | 26041 | 16 |
| 42" | 26042 | 16 |
| 43" | 26043 | 16 |
| 44" | 26044 | 16 |
| 45" | 26045 | 16 |
| 46" | 26046 | 16 |
| 47" | 26047 | 16 |
| 48" | 26048 | 16 |

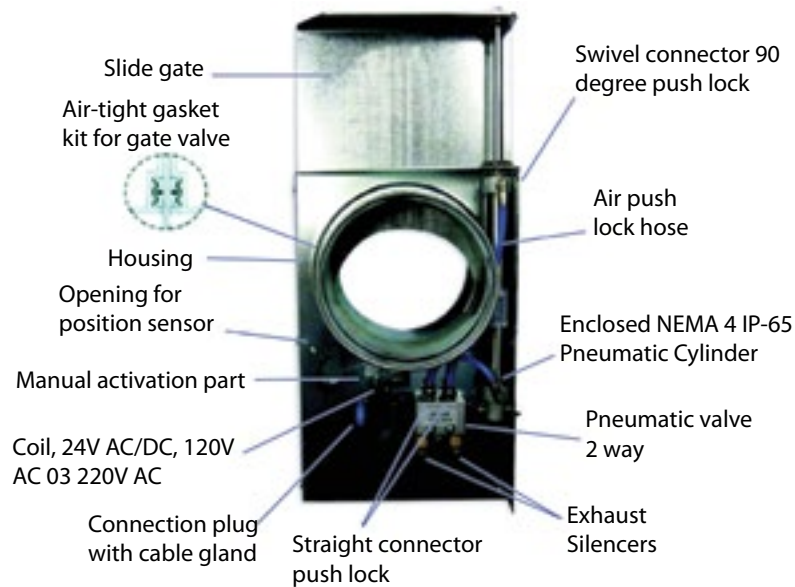
KB Duct Blast Gates & Cut-Offs Save Energy And Money

Perfect for balancing your system, or a duct run to a specific machine,
or an individual branch.

Blast Gates and Cutoffs are offered in multiple configurations to
meet the needs of any job specific criteria.



Air-Tight Automatic UHMW Gates



| Dia. | GA |
|------|----|
| 3" | 14 |
| 4" | 14 |
| 5" | 14 |
| 6" | 14 |
| 7" | 14 |
| 8" | 14 |
| 9" | 14 |
| 10" | 14 |
| 11" | 14 |
| 12" | 14 |
| 13" | 14 |
| 14" | 14 |
| 15" | 14 |
| 16" | 14 |
| 17" | 14 |
| 18" | 14 |
| 19" | 14 |
| 20" | 14 |
| 22" | 14 |

SIZES: 2"-12" are standard.
Larger sizes are available upon request.

MATERIAL: Galvanized and Stainless Steel

CONSTRUCTION:

- Air-tight gasket kit for gate valve
- Enclosed NEMA 4 IP-65 Pneumatic Cylinder
- Cylinder requires 90 psi, but very little volume to operate
- Coil, 24V AC/DC, 120V AC 03 220V AC
- Manual and auto available

APPLICATION:

- Dust
- Fume
- Exhaust
- Paper trim

KB Duct Air-Tight UHMW Gates are electrically controlled, pneumatically operated gates. The solenoid is activated by virtually any electrical signal and then controls the air flow to the stainless cylinder. The cylinder requires 90 psi but very little volume to operate. Gates larger than 9" have two cylinders to ensure smooth operation.

Air-Tight Blast Gates

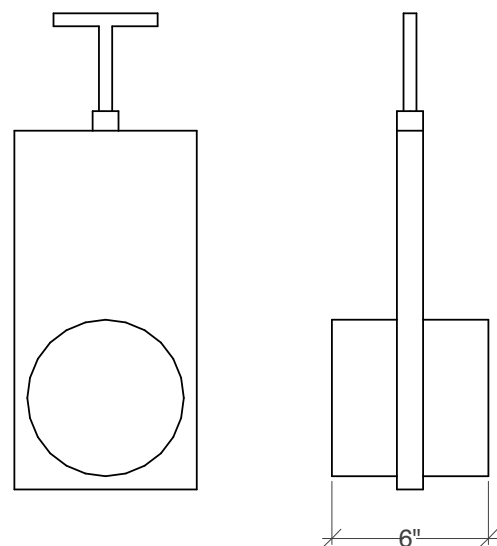


| Dia. | Part # | GA |
|------|--------|----|
| 3" | 18203 | 14 |
| 4" | 18204 | 14 |
| 5" | 18205 | 14 |
| 6" | 18206 | 14 |
| 7" | 18207 | 14 |
| 8" | 18208 | 14 |
| 9" | 18209 | 14 |
| 10" | 18210 | 14 |
| 11" | 18211 | 14 |
| 12" | 18212 | 14 |
| 13" | 18213 | 14 |
| 14" | 18214 | 14 |
| 15" | 18215 | 14 |
| 16" | 18216 | 14 |
| 17" | 18217 | 14 |
| 18" | 18218 | 14 |
| 19" | 18219 | 14 |
| 20" | 18220 | 14 |
| 22" | 18222 | 14 |
| 24" | 18224 | 14 |

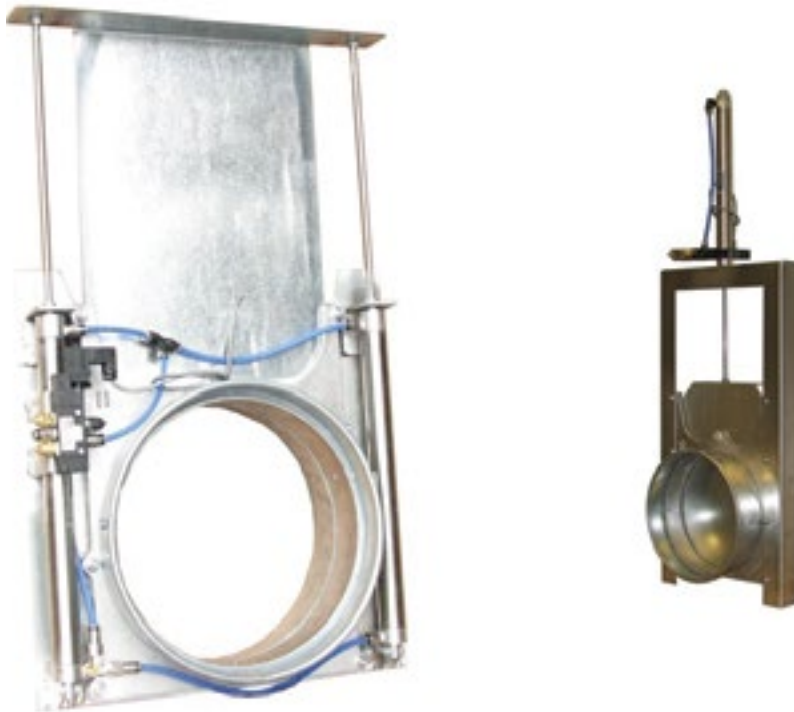
If using Stainless Steel add an "SS" to the end of the part #.

The **Air Tight Blast Gate** is used only in applications without particulate. Due to the fully welded construction, a cavity is formed for the blade to rest in; that cavity can accumulate particulate in material handling applications and cause the blade to jam. Because of this, only applications such as **oil mist, fume, exhaust** and **air** are acceptable. It is fully welded and air tight to the environment, but not air tight from one side of the blade to the next.

Also available in flanged ends.



Automatic Cut-offs



| Dia. | Part # | # of Cyl |
|------|--------|----------|
| 3" | A18003 | 1 |
| 4" | A18004 | 1 |
| 5" | A18005 | 1 |
| 6" | A18006 | 1 |
| 7" | A18007 | 1 |
| 8" | A18008 | 1 |
| 9" | A18009 | 2 |
| 10" | A18010 | 2 |
| 11" | A18011 | 2 |
| 12" | A18012 | 2 |
| 13" | A18013 | 2 |
| 14" | A18014 | 2 |
| 15" | A18015 | 2 |
| 16" | A18016 | 2 |
| 17" | A18017 | 2 |
| 18" | A18018 | 2 |
| 19" | A18019 | 2 |
| 20" | A18020 | 2 |
| 22" | A18022 | 2 |
| 24" | A18024 | 2 |

If using Stainless Steel add an "SS" to the end of the part #.

PROBLEM: Many companies have operations that struggle with collection systems that were (and still are) sized for operations that existed years ago when installed. Now, these needs have changed drastically. So how do you get air (suction) WHERE YOU NEED IT -- WHEN YOU NEED IT?

SOLUTION: Gates that operate automatically as machines (or control systems) turn on and off. Our automatic gates are air operated with electric solenoids activated by virtually any electrical signal. Automatic gates can also be combined with in-duct pressure sensors and Variable Frequency Drive (VFD) fans to control and optimize fan power consumption.

Cut-offs



Galvanized and Stainless Steel

| Dia. | Part # | Part # |
|------|--------|--------|
| | Full | Half |
| 3" | 18003 | 18103 |
| 4" | 18004 | 18104 |
| 5" | 18005 | 18105 |
| 6" | 18006 | 18106 |
| 7" | 18007 | 18107 |
| 8" | 18008 | 18108 |
| 9" | 18009 | 18109 |
| 10" | 18010 | 18110 |
| 11" | 18011 | 18111 |
| 12" | 18012 | 18112 |
| 14" | 18014 | 18114 |
| 16" | 18016 | 18116 |
| 18" | 18018 | 18118 |
| 20" | 18020 | N/A |
| 22" | 18022 | N/A |
| 24" | 18024 | N/A |

If using Stainless Steel add an "SS" to the end of the part #.

Cut-offs are used primarily to cut off air supply to areas when dust collection/ venting is not needed. This can improve performance in other areas or simply limit the size of the needed collector. Utilizing cut offs allow for a more balanced system.

Your **ONE STOP SHOP** For Component Parts

Call Today for Pricing



SparkBuster



No-Return Valve



Cut-offs



Blast Gates



Automatic Gates



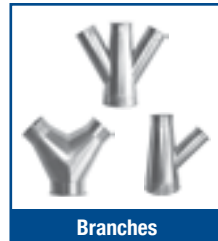
Elbows



Floor Sweeps



Ball Joints



Branches



Reducers



Butterfly Dampers



Transitions



Slotted Hood



End Caps



Incut Branches



Silencer



Cleanout Doors



Vibration Dampener



Diverter Valves



Rain Cap



Flex Hose



Hanger Rings



Catches, Lugs, Handles

Ball Joints



| Dia. | Part# |
|------|-------|
| 3" | 19303 |
| 4" | 19304 |
| 5" | 19305 |
| 6" | 19306 |
| 7" | 19307 |
| 8" | 19308 |
| 9" | 19309 |
| 10" | 19310 |
| 11" | 19311 |
| 12" | 19312 |

PROBLEM: CNC machines have wide ranges of movement.

SOLUTION: Ball joints swivel with the flex hose, to improve the movement and reduce the impact of the motion.

Standard ball joint comes with KB rolled edge on one end and flex hose connection on other end.

Flex Hoses



KB Duct offers flex hoses both in clear urethane and black thermoplastic.

KB Duct Blue Hose is comprised of clear urethane and is static dissipating. A coated, copper wire helix provides rigidity throughout the length of the hose. This hose is highly resistant to abrasion and is comprised of FDA safe materials.

KB Duct Black Hose provides an economical solution for light dust applications. Intermittent temperatures to 190° F.

Max stock length is 25' rolls. Custom hose lengths are available. Chemical resistant, insulated, flame retardant and high pressure hoses are available upon request as well.

| Dia. | Black | Clear |
|------|---------|---------|
| | Part# | Part# |
| 2" | 18302 | 28402 |
| 2.5" | 18302.5 | 28402.5 |
| 3" | 18303 | 28403 |
| 4" | 18304 | 28404 |
| 5" | 18305 | 28405 |
| 6" | 18306 | 28406 |
| 7" | 18307 | 28407 |
| 8" | 18308 | 28408 |
| 9" | 18309 | 28409 |
| 10" | 18310 | 28410 |
| 12" | 18312 | 28412 |
| 14" | 18314 | 28414 |
| 16" | 18316 | 28416 |
| 18" | 18318 | call |
| 20" | 18320 | call |
| 24" | 18324 | call |

Steel Flex Hoses



KB Duct offers Flex Hose in galvanized steel with a wide variety of material variations and accessories to meet virtually any application requirement: wood dust, plastics, polymers, chemicals, pharmaceuticals, oil mist, FDA and abrasives. Including high temperature and high pressure hoses.

Steel hose custom lengths are available.

| Dia. | Rigid | Flexible |
|------|---------|----------|
| | Part# | Part# |
| 2" | 18502 | |
| 2.5" | 18502.5 | |
| 3" | 18503 | 18603 |
| 4" | 18504 | 18604 |
| 5" | 18505 | 18605 |
| 6" | 18506 | 18606 |
| 7" | 18507 | 18607 |
| 8" | 18508 | 18608 |
| 9" | 18509 | |
| 10" | 18510 | |
| 12" | 18512 | |

Bell Mouths



| Dia. | Part# | GA |
|------|-------|----|
| 3" | 16303 | 18 |
| 4" | 16304 | 18 |
| 5" | 16305 | 18 |
| 6" | 16306 | 18 |
| 7" | 16307 | 18 |
| 8" | 16308 | 18 |
| 9" | 16309 | 18 |
| 10" | 16310 | 18 |
| 11" | 16311 | 18 |
| 12" | 16312 | 18 |
| 13" | 16313 | 18 |
| 14" | 16314 | 18 |
| 15" | 16315 | 18 |
| 16" | 16316 | 18 |
| 17" | 16317 | 18 |
| 18" | 16318 | 18 |
| 19" | 16319 | 18 |
| 20" | 16320 | 18 |
| 22" | 16322 | 18 |
| 24" | 16324 | 18 |

If using Stainless Steel add an "SS" to the end of the part #.

The Bell mouth Adapter is precision spun as a fitting that can be used for a pick up point. The flared end reduces static pressure loss and concentrates suction at the point of pickup.

Additional sizes and radii are available upon request.

Butterfly Valves

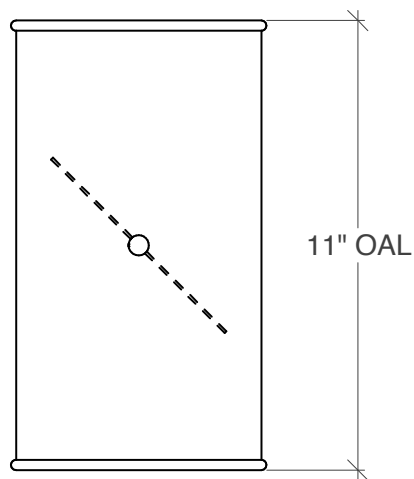


Galvanized and Stainless Steel



| Dia. | Part# | GA |
|------|-------|----|
| 3" | 19403 | 24 |
| 4" | 19404 | 24 |
| 5" | 19405 | 24 |
| 6" | 19406 | 24 |
| 7" | 19407 | 22 |
| 8" | 19408 | 22 |
| 9" | 19409 | 22 |
| 10" | 19410 | 22 |
| 11" | 19411 | 22 |
| 12" | 19412 | 22 |
| 13" | 19413 | 20 |
| 14" | 19414 | 20 |
| 15" | 19415 | 20 |
| 16" | 19416 | 20 |
| 17" | 19417 | 20 |
| 18" | 19418 | 20 |
| 19" | 19419 | 20 |
| 20" | 19420 | 20 |
| 22" | 19422 | 20 |
| 24" | 19424 | 20 |

Other Butterfly Options



Floor Sweeps

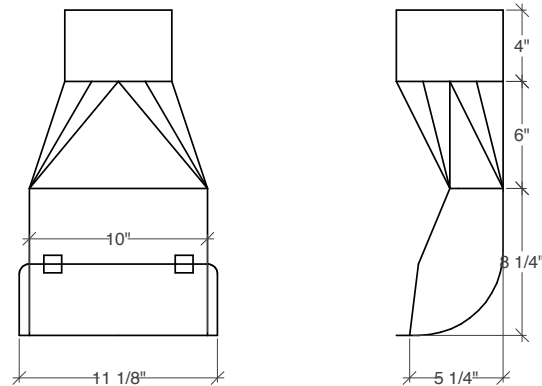


| Dia. | Part# | GA |
|------|-------|----|
| 4" | 19004 | 18 |
| 5" | 19005 | 18 |
| 6" | 19006 | 18 |
| 7" | 19007 | 18 |
| 8" | 19008 | 18 |

If using Stainless Steel add an "SS" to the end of the part #.

PROBLEM: Dust and residue clutter shop floors and create hazards.

SOLUTION: Fully welded. When closed, K&B floor sweeps are ideal for machining and cutting operations where dust is hard to collect and capture. Floor sweeps have tight fitting doors, conveniently opened by foot. Installed near drills, benches, CNC routers etc.



Accessories

Gripple Hangers



Cable hangers are a quick and secure way to suspend duct. It is an especially good system to use for a quick and easy install.

Hangers must be selected and spaced based upon the weight of the DUCT AND MATERIAL being conveyed.

Contact KB Duct for assistance in selecting the correct Gripple Hanger

*SS hangers are also available

| Size | #3 | | | #4 | | | #5 | | |
|---------------------|---------|-----|-----|---------|-----|-----|---------|-----|-----|
| | 0° | 30° | 45° | 0° | 30° | 45° | 0° | 30° | 45° |
| Working Loads (lbs) | 176 | 151 | 123 | 495 | 425 | 346 | 715 | 614 | 500 |
| Break Loads (lbs) | 1276 | | | 3300 | | | 4752 | | |
| Part No. | 17100.3 | | | 17100.4 | | | 17100.5 | | |

Saddle Hangers



Saddle Hangers are used for hanging duct systems and reducing sway. Standard saddle hangers use two all thread rods.

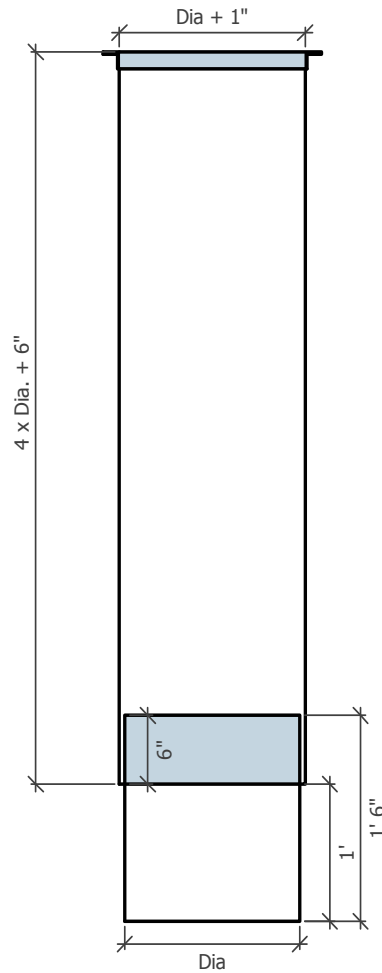
*SS hangers are also available.



Optional Hat Style Hanger shown above. Includes "Hat" so hanger can be mounted by one all thread rod over center.

| Dia. | Part# | GA |
|------|-------|----|
| 4" | 17004 | 16 |
| 5" | 17005 | 16 |
| 6" | 17006 | 16 |
| 7" | 17007 | 16 |
| 8" | 17008 | 16 |
| 9" | 17009 | 16 |
| 10" | 17010 | 16 |
| 11" | 17011 | 14 |
| 12" | 17012 | 14 |
| 13" | 17013 | 14 |
| 14" | 17014 | 14 |
| 15" | 17015 | 14 |
| 16" | 17016 | 14 |
| 17" | 17017 | 14 |
| 18" | 17018 | 14 |
| 19" | 17019 | 14 |
| 20" | 17020 | 14 |
| 22" | 17022 | 14 |
| 24" | 17024 | 14 |

No-Loss Stackheads



| Dia. | Part# | GA |
|------|-------|----|
| 4" | 19204 | 24 |
| 5" | 19205 | 24 |
| 6" | 19206 | 24 |
| 7" | 19207 | 22 |
| 8" | 19208 | 22 |
| 9" | 19209 | 22 |
| 10" | 19210 | 22 |
| 11" | 19211 | 22 |
| 12" | 19212 | 22 |
| 13" | 19213 | 20 |
| 14" | 19214 | 20 |
| 15" | 19215 | 20 |
| 16" | 19216 | 20 |
| 17" | 19217 | 20 |
| 18" | 19218 | 20 |
| 19" | 19219 | 20 |
| 20" | 19220 | 20 |
| 22" | 19222 | 20 |

If using Stainless Steel add an "SS" to the end of the part #.

PROBLEM: When exhausting air into the atmosphere, rain caps, elbows and other components designed to prevent rain water from entering the duct and fan, cause back pressure that robs the fan's performance.

SOLUTION: No-Loss Stackheads, as the name implies, eliminate back pressure. The central exhaust duct is surrounded by 1" larger duct which extends higher than the central duct and is open at the bottom. Rain water falls into the larger duct, washes down the side of the larger duct and discharges at the bottom. Available in galvanized and stainless steel.

*Heavier gauges and full welded options are available.

Rain Caps

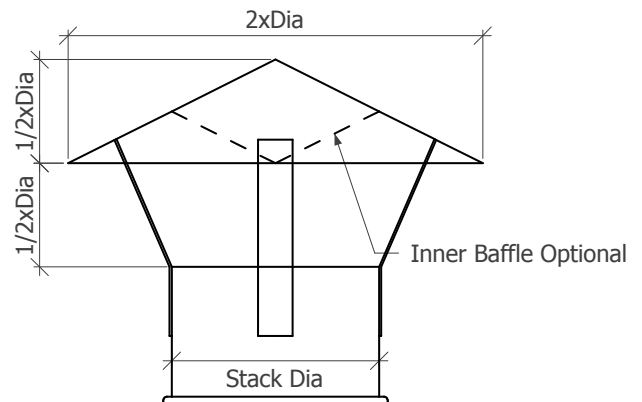


| Dia. | GA |
|------|----|
| 3" | 22 |
| 4" | 22 |
| 5" | 22 |
| 6" | 22 |
| 7" | 22 |
| 8" | 22 |
| 9" | 22 |
| 10" | 22 |
| 11" | 22 |
| 12" | 22 |
| 13" | 22 |
| 14" | 22 |
| 15" | 20 |
| 16" | 20 |
| 17" | 20 |
| 18" | 20 |
| 19" | 20 |
| 20" | 20 |
| 22" | 20 |
| 24" | 18 |

Rain Caps prevent weather and other debris from entering your ducting exhaust.

*An inner baffle can be included to reduce back pressure of the exhausting air.

*Heavier gauges and full welded options are available.



Viewing Spools



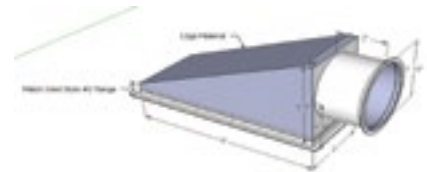
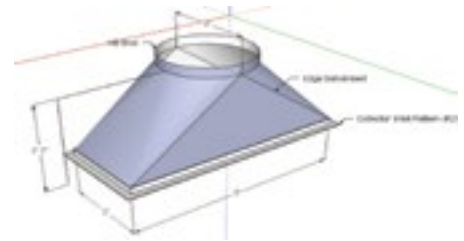
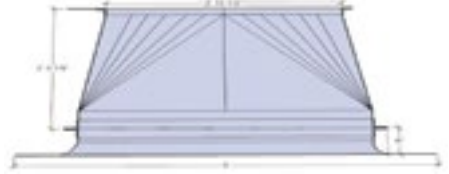
| Dia. | Part# | GA |
|------|-------|----|
| 4" | 17404 | 24 |
| 5" | 17405 | 24 |
| 6" | 17406 | 24 |
| 7" | 17407 | 22 |
| 8" | 17408 | 22 |
| 9" | 17409 | 22 |
| 10" | 17410 | 22 |
| 12" | 17412 | 22 |
| 14" | 17414 | 20 |

If using Stainless Steel add an "SS" to the end of the part #.

PROBLEM: How do operations that convey paper trim and other long, stringy material monitor the constant flow of material so that "breaks" and clogs are detected before the system plugs up completely?

SOLUTION: Our Viewing Spool, constructed using a heavy acrylic "spool" tightly coupled to duct adapters with a threaded rod, is a clear solution.

Custom Hood Designs



K&B Duct manufactures a variety of custom pieces. Simply contact K&B Duct with your specific dimensions.

Rectangular to Round Transitions Flanged



Galvanized and Stainless Steel

| Hemmed | | |
|-------------------------------|-------|----|
| Dia. | Part# | GA |
| See note for sizes under 24". | | |
| 24" | 26124 | 18 |
| 26" | 26126 | 18 |
| 28" | 26128 | 18 |
| 30" | 26130 | 16 |
| 32" | 26132 | 16 |
| 34" | 26134 | 16 |
| 36" | 26136 | 16 |
| 38" | 26138 | 16 |
| 40" | 26140 | 16 |
| 42" | 26142 | 16 |
| 44" | 26144 | 16 |
| 46" | 26146 | 16 |
| 48" | 26148 | 16 |

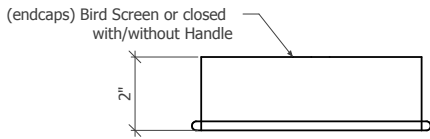
***If using Stainless Steel, add an "SS" to the end of the Part#.**

Transitions are built to your specifications.

Call for pricing.

Available in heavier gauges and larger sizes.

End Caps



| Standard | | |
|----------|------------|-------------|
| Dia. | Closed End | Bird Screen |
| | Part# | Part# |
| 4" | 19504 | 19604 |
| 5" | 19505 | 19605 |
| 6" | 19506 | 19606 |
| 7" | 19507 | 19607 |
| 8" | 19508 | 19608 |
| 9" | 19509 | 19609 |
| 10" | 19510 | 19610 |
| 11" | 19511 | 19611 |
| 12" | 19512 | 19612 |
| 13" | 19513 | 19613 |
| 14" | 19514 | 19614 |
| 15" | 19515 | 19615 |
| 16" | 19516 | 19616 |
| 17" | 19517 | 19617 |
| 18" | 19518 | 19618 |
| 19" | 19519 | 19619 |
| 20" | 19520 | 19620 |
| 22" | 19522 | 19622 |
| 24" | 19524 | 19624 |

| Flanged | | |
|---------|------------|-------------|
| Dia. | Closed End | Bird Screen |
| | Part# | Part# |
| 4" | 29504 | 29604 |
| 5" | 29505 | 29605 |
| 6" | 29506 | 29606 |
| 7" | 29507 | 29607 |
| 8" | 29508 | 29608 |
| 9" | 29509 | 29609 |
| 10" | 29510 | 29610 |
| 11" | 29511 | 29611 |
| 12" | 29512 | 29612 |
| 13" | 29513 | 29613 |
| 14" | 29514 | 29614 |
| 15" | 29515 | 29615 |
| 16" | 29516 | 29616 |
| 17" | 29517 | 29617 |
| 18" | 29518 | 29618 |
| 19" | 29519 | 29619 |
| 20" | 29520 | 29620 |
| 22" | 29522 | 29622 |
| 24" | 29524 | 29624 |
| 26" | 29526 | 29626 |
| 28" | 29528 | 29628 |
| 30" | 29530 | 29630 |
| 32" | 29532 | 29632 |
| 34" | 29534 | 29634 |
| 36" | 29536 | 29636 |
| 38" | 29538 | 29638 |
| 40" | 29540 | 29640 |
| 42" | 29542 | 29642 |
| 44" | 29544 | 29644 |
| 46" | 29546 | 29646 |
| 48" | 29548 | 29648 |

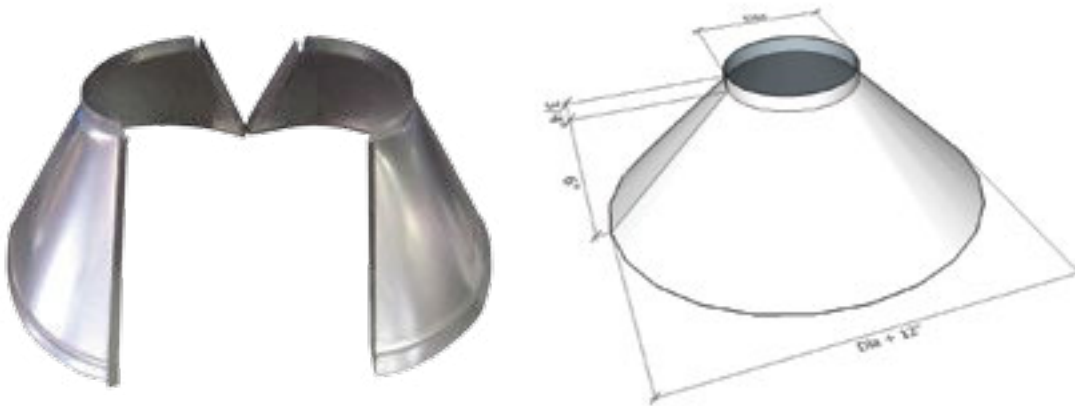
If using Stainless Steel add an "SS" to the end of the part #.

Standard End Caps are typically used to cap a duct line that will be used in the future. It can also be used as a clean out point or inspection port. Handles and chains are available options when ordering.

Bird Screen End Caps are typically used to allow air to be pulled through a duct line while preventing large particulate from entering.

*Heavier gauges and full welded options are available.

Stack Flanges



| Dia. | Ga. |
|---------|-----|
| 3"-19" | 22 |
| 20"-24" | 20 |
| 32"-48" | 18 |

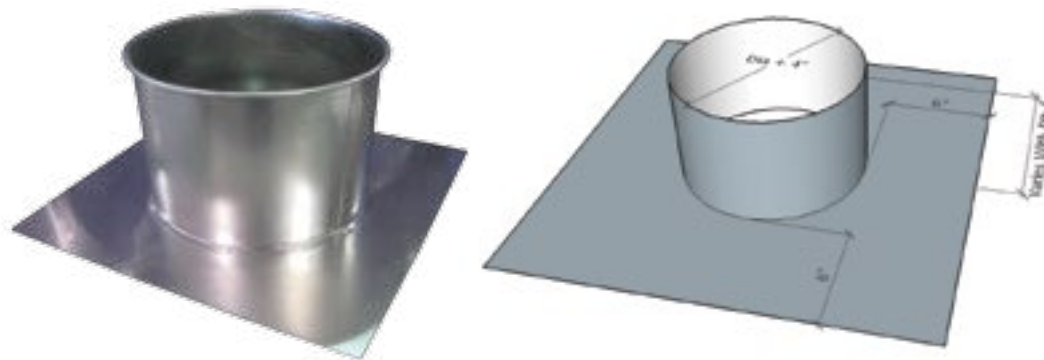
The Stack Flange is made in halves and works in conjunction with a Roof Flange. This setup provides a weather resistant barrier for your roof penetrating duct.

Stack Flanges should be ordered by duct sizes and can be provided for a flat or pitched roof.

Larger sizes quoted on request.

*Heavier gauges and full welded options are available.

Roof Flanges



| Dia. | Ga. |
|---------|-----|
| 3"-19" | 22 |
| 20"-24" | 20 |
| 32"-48" | 18 |

The Roof Flange works in conjunction with a Stack Flange. This setup provides a weather resistant barrier for your roof penetrating duct.

Stack Flanges should be ordered by duct sizes and can be provided for a flat or pitched roof.

Larger sizes quoted on request.

*Heavier gauges and full welded options are available.

Not Just a Duct Company

KB Duct offers nearly every ducting component necessary for any industrial application or system.

Dust, oil mist, welding fume and more, KB offers specific products from Fume Arms to Oil Mist Accumulators and more.

No one else can offer you what KB offers.



Turnkey Solutions

Indoor and outdoor ducting.

No project is too big or too small, from the flex hose at each machine connection to a No-Loss Stack for your roof connection.

We even sell a wide array of hangers. From floor to roof we have you covered!

Energy & Maintenance Savings

A comprehensive line of manual and automatic gates work to adjust your airflow.

Summer/Winter Dampers work to save your heat in the Winter or your AC in the Summer.

Safety and Comfort

K&B offers a full range of products to keep your facility safe and running at a low noise volume.

A full line of ATEX Certified no return valve and abort gates prevent secondary explosions at the inlet and outlet of your filtration unit.

Fan silencers and vibration dampeners reduce vibration and noise throughout your ducting system.

K&B's SparKBuster eliminates sparks in fume and grinding applications to greatly reduce the chances of damaging your filtration equipment.

KB Duct NFPA No Return Valve



Meet 2014 NFPA Requirements* with the NEW KB Duct No Return Valves

No Return Valve (NRV) Dimensions (Sizes 7" to 28")

Rated for: Class ST 3 Applications Kst max 400 bar m/s P red 0.50 bar

| Ø | A | B | C | D | E | F | G | H | I | LBS |
|-----|------|------|------|------|------|------|------|------|------|-----|
| 7" | 14.1 | 13.3 | 21.6 | 13.3 | 11.8 | 7.0 | 6.6 | - | - | 45 |
| 8" | 14.1 | 13.3 | 21.6 | 13.3 | 11.8 | 7.0 | 6.6 | - | - | 45 |
| 10" | 16.1 | 15.3 | 23.6 | 15.3 | 12.7 | 8.0 | 7.6 | - | - | 56 |
| 12" | 18.1 | 17.3 | 26.3 | 23.6 | 13.7 | 9.0 | 8.6 | - | 4.5 | 84 |
| 14" | 20.0 | 19.2 | 28.3 | 25.5 | 14.7 | 10.0 | 9.6 | - | 4.5 | 100 |
| 16" | 22.0 | 23.2 | 30.3 | 29.5 | 15.7 | 11.0 | 10.6 | 13.7 | 6.4 | 120 |
| 18" | 24.0 | 25.1 | 32.2 | 33.2 | 16.7 | 12.0 | 11.6 | 15.7 | 8.4 | 150 |
| 20" | 25.9 | 27.1 | 34.2 | 38.7 | 17.7 | 12.9 | 12.5 | 18.1 | 12.4 | 177 |
| 22" | 27.9 | 29.1 | 36.2 | 37.4 | 18.7 | 13.9 | 13.5 | 19.6 | 8.4 | 221 |
| 24" | 29.9 | 31.1 | 38.1 | 41.1 | 19.6 | 14.9 | 14.5 | 21.6 | 10.4 | 254 |
| 26" | 31.8 | 33.0 | 40.1 | 45.0 | 20.6 | 15.9 | 15.5 | 23.8 | 12.4 | 276 |
| 28" | 33.8 | 35.0 | 42.1 | 47.0 | 21.6 | 16.9 | 16.5 | 25.5 | 12.4 | 298 |

No Return Valve (NRV) Dimensions (Sizes 32" to 40")

Rated for: Class ST 2 Applications Kst max 299 bar m/s P red 0.25 bar

| Ø | A | B | C | D | E | F | G | H | I | LBS |
|-----|------|------|------|------|------|------|------|------|------|-----|
| 32" | 38.5 | 40.1 | 52.3 | 56.4 | 25.9 | 25.9 | 18.8 | 28.1 | 14.1 | 728 |
| 36" | 42.5 | 44.5 | 56.2 | 60.4 | 27.9 | 27.9 | 20.8 | 27.9 | 14.1 | 860 |
| 40" | 46.1 | 48.0 | 60.2 | 64.3 | 29.9 | 29.9 | 22.8 | 35.8 | 14.1 | 999 |

NRV Pressure Drop for Sizes 7" to 14" is 0.39" / Sizes 16" to 40" is 0.63"

Installing a KB Duct No-Return Explosion Isolation Valve will protect workers and facilities from the damaging effect of a baghouse or filter explosion.

Features & Benefits

- *ATEX certified (EN 16447)*
- Heavy duty welded steel construction
- Flanged inlet and outlet
- Inspection/access door
- Grounding lug
- Locking mechanism



The KB-NRV is 100% NFPA 69-2014 compliant with the following options:

- **0-KB-NRV-MS:** Micro-switch for system shut down
- **0-KB-NRV-DLS:** Dust level sensor
- **0-KB-NRV-CP:** Control panel for sensor power and integration

*The installation of an Explosion Isolation Device on all suction side ducts that transport material with a KST value above zero is an NFPA Requirement.

Inline Spark Buster



| Cell Size | SCFM |
|-----------|---------------|
| 8" | 490-820 |
| 10" | 790-1310 |
| 12" | 1,100-1,840 |
| 14" | 2,980-4,960 |
| 16" | 1,800-3,000 |
| 20" | 2,980-4,960 |
| 24" | 4,420-7,360 |
| 30" | 7,070-11,800 |
| 38" | 11,300-18,800 |
| 48" | 18,300-30,600 |
| 60" | 28,900-48,200 |
| 72" | 41,600-69,300 |
| 84" | 56,500-94,200 |

The SparkBuster is a static mixing device that operates by cooling glowing embers within the exhaust ducting system. It cools the sparks by changing the characteristics of the gas flow through the duct from laminar to turbulent flow.

This change in type of flow causes a relative velocity difference between the sparks and the gas flowing past the sparks. It is effective when the air temperature in the process is lower than the spark temperature.

The sparks will be cooled to within 20 degrees of the gas temperature in the duct.

Cell size is determined by CFM not duct size.

Features & Benefits

- Cools sparks and embers
- Slim, in-line design
- Low to NO maintenance; auto self-cleaning option available
- NO moving parts
- Easy installation in new or existing system
- Compatible with flanged or clamp together systems

Fume Arms



Hanging fume arms provide the most economical and effective methods for the capture of fumes. The use of self-supporting joints, flexible hoses, and smooth bore tubing allow for easy placement of the arm's hood near the source of the particulate and smoke. Fume arm tubes are fabricated of steel with cast aluminum joints and are fully adjustable to the workers desired tension. The arms include a handle in order to facilitate easy re-positioning.

Features:

- External Joints
- Aluminum hood with diverter
- Swivel base with safety stop
- No internal adjustments
- Low static pressure
- 2 grab handles
- Powder coated inside and out

Options:

- Food grade hose
- High temperature hose
- Light kit
- Extension hood

Cyclones



Features & Benefits

- Full line available in standard configurations OR we will build to your specifications.
- Vortex breakers are standard and increase efficiency; can also be outfitted with air locks.
- Standard support structure provides 24" clearance; additional support structures and numerous outlet options are available.
- Galvanized metal and painted hot roll steel construction.
- Stainless Steel Available

K&B offers a full line of High Efficiency Cyclones in the standard configurations shown left, or they will build to your specifications.

K&B Vortex Breakers are standard and increase the efficiency. However the cyclones can also be outfitted with Air Locks.

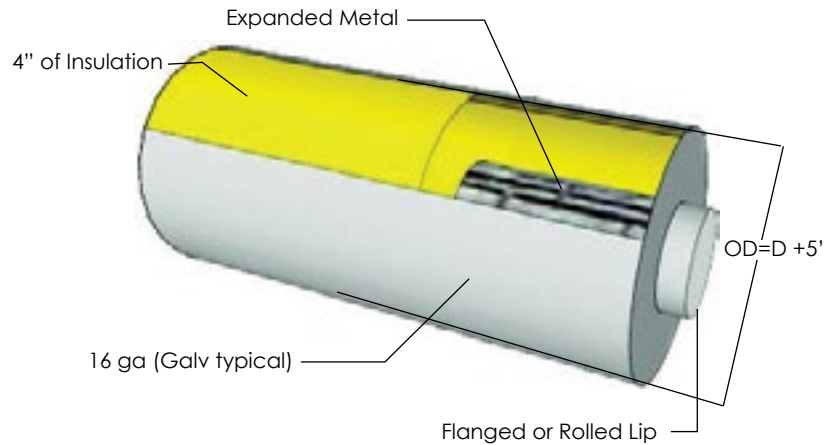
K&B fabricates structures and options. The standard structure provides 24" clearance. Additional support structures are available, as are numerous outlet options.

K&B Cyclones are available in galvanized metal and painted hot roll steel.

| Size | CFM at Pressure Drop | | Height* (Includes Vortex breaker) | Footprint | Inlet (H x W) | Outlet Dia. | Discharge |
|------|----------------------|-------|--------------------------------------|-----------|------------------|-------------|-----------|
| | 2" | 6" | | | | | |
| 15 | 1500 | 2500 | 84" | 25"x25" | 15"x7.5" | 14" | 4" |
| 19 | 2400 | 4000 | 105" | 32"x32" | 19"x9.5" | 18" | 4" |
| 24 | 3800 | 6500 | 132" | 38"x38" | 24"x12" | 23" | 6" |
| 30 | 6000 | 10000 | 164" | 48"x48" | 30"x15" | 29" | 6" |
| 38 | 9600 | 16200 | 207" | 59"x59" | 38"x19" | 37" | 8" |
| 48 | 15300 | 25900 | 260" | 72"x72" | 48"x24" | 47" | 12" |
| 60 | 24000 | 40500 | 324" | 88"x88" | 60"x30" | 60" | 14" |

* Height = outlet to bottom of vortex breaker. The stand extends 24" below the bottom of the breaker.

Silencers



| Dia. | Part# |
|------|-------|
| 4" | 17804 |
| 5" | 17805 |
| 6" | 17806 |
| 7" | 17807 |
| 8" | 17808 |
| 9" | 17809 |
| 10" | 17810 |
| 11" | 17811 |
| 12" | 17812 |
| 13" | 17813 |
| 14" | 17814 |
| 15" | 17815 |
| 16" | 17816 |
| 17" | 17817 |
| 18" | 17818 |
| 19" | 17819 |
| 20" | 17820 |
| 22" | 17822 |
| 24" | 17824 |

If using Stainless Steel add an "SS" to the end of the part #.

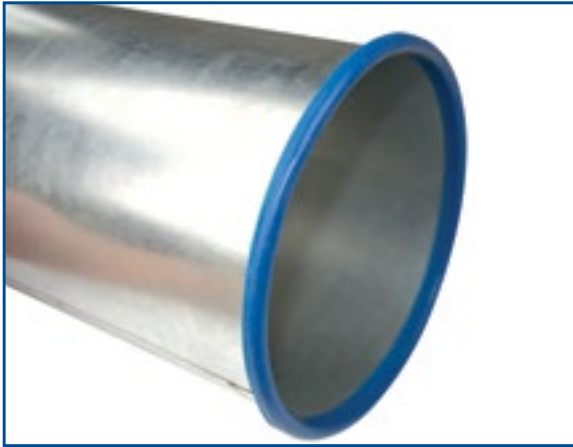
PROBLEM: As more and more systems are installed with air from fans/collectors evacuated into the atmosphere, attention is turning to noise reduction for plant personnel and neighbors.

SOLUTION: K&B Duct Silencers dampen that noise. Our Silencers are built so air passes through a chamber of expanded metal surrounded by more than 4" of insulation. Noise, generally created by turbulence and vibration of air molecules, is literally absorbed by the insulation. Normally, one unit is sufficient, but silencers can be placed in sequence for more severe applications.

Silencers are:

- High quality
- Heavy-duty 16 Gauge construction
- Extremely cost effective

KB Blue Oil Mist Gaskets



| Dia. | Part# |
|------|--------|
| 3" | 40003B |
| 4" | 40004B |
| 5" | 40005B |
| 6" | 40006B |
| 7" | 40007B |
| 8" | 40008B |
| 9" | 40009B |
| 10" | 40010B |
| 11" | 40011B |
| 12" | 40012B |
| 13" | 40013B |
| 14" | 40014B |
| 16" | 40015B |
| 17" | 40016B |
| 18" | 40017B |

KB Blue Leak Free gaskets are typically incorporated into ducting systems that experience heavy oil mist and are meant to provide extra protection from leaks.

Each gasket is molded to fit the contour of a rolled lip and **does not require any adhesive or tools for install**. One gasket is required for each duct or component connection in order to form a metal to rubber connection. Gaskets are placed to face towards the direction of air flow.

Diverter Valves



| | Man. | Auto |
|------|-------|-------|
| Dia. | Part# | Part# |
| 4" | 19704 | 19804 |
| 5" | 19705 | 19805 |
| 6" | 19706 | 19806 |
| 7" | 19707 | 19807 |
| 8" | 19708 | 19808 |
| 9" | 19709 | 19809 |
| 10" | 19710 | 19810 |
| 11" | 19711 | 19811 |
| 12" | 19712 | 19812 |
| 13" | 19713 | 19813 |
| 14" | 19714 | 19814 |
| 15" | 19715 | 19815 |
| 16" | 19716 | 19816 |
| 17" | 19717 | 19817 |
| 18" | 19718 | 19818 |
| 19" | 19719 | 19819 |
| 20" | 19720 | 19820 |
| 22" | 19722 | 19822 |

Available Sizes: 3" and up.
 Body is constructed of 3/16" thick hot roll (Painted).
 Transitions are constructed of 18 gauge galvanized unless otherwise requested.

If using Stainless Steel add an "SS" to the end of the part #.

PROBLEM: Both dust collection and material transfer require material be diverted to (or from) several different locations (machines, bins, hoppers, trucks, vats, etc.).

SOLUTION: K&B Duct's heavy duty (3/16" construction) Diverter Valves provide manual or automatic (pictured) material/air diverting. The heavy duty door (flap), with (replaceable) heavy rubber seal, controls the direction of flow.

Flanged ends are also available.

| Size A" | Over All Length B" | Main Body Length C" | Transition Length D" | Access Door E |
|---------|--------------------|---------------------|----------------------|---------------|
| 4 | 33.5625 | 21.5625 | 4 + 2 collars | 4 x 3 |
| 5 | 35.5625 | 21.5625 | 5 + 2 collars | 4 x 3 |
| 6 | 37.5625 | 21.5625 | 6 + 2 collars | 4 x 3 |
| 7 | 38.562 | 20.562 | 7 + 2 collars | 7 x 4 |
| 8 | 41.53 | 21.53 | 8 + 2 collars | 7 x 4 |
| 9 | 38.75 | 16.75 | 9 + 2 collars | 5 x 8 |
| 10 | 45.1406 | 21.1406 | 10 + 2 collars | 5 x 8 |
| 11 | 50 | 24 | 11 + 2 collars | 10 x 7 |
| 12 | 52 | 24 | 12 + 2 collars | 10 x 7 |
| 13 | 56.875 | 26.875 | 13 + 2 collars | 13 x 9 |
| 14 | 58.875 | 26.875 | 14 + 2 collars | 13 x 9 |
| 15 | 62.25 | 28.25 | 15 + 2 collars | 14 x 12 |
| 16 | 65.625 | 29.625 | 16 + 2 collars | 14 x 12 |
| 17 | 70.4375 | 32.4375 | 17 + 2 collars | 15 x 12 |
| 18 | 72.4375 | 32.4375 | 18 + 2 collars | 15 x 12 |
| 19 | 84.125 | 40.125 | 19 + 2 collars | 22 x 19.5 |
| 20 | 86.125 | 40.125 | 20 + 2 collars | 22 x 19.5 |
| 22 | 88.125 | 40.125 | 22 + 2 collars | 22 x 19.5 |
| 24 | 92.9375 | 40.9375 | 24 + 2 collars | 22 x 19.5 |
| 26 | 99.75 | 43.75 | 26 + 2 collars | 22 x 19.5 |

Oil Mist Accumulator



| Dia. | Part# | GA |
|------|-------|----|
| 4" | 19904 | 24 |
| 5" | 19905 | 24 |
| 6" | 19906 | 24 |
| 7" | 19907 | 22 |
| 8" | 19908 | 22 |
| 9" | 19909 | 22 |
| 10" | 19910 | 22 |
| 11" | 19911 | 22 |
| 12" | 19912 | 22 |

Horizontal version available

If using Stainless Steel add an "SS" to the end of the part #.

A series of simple, expanded metal cones allow the droplets to condense on the surface, then drain to the outside of the accumulator (out of the air stream) where they drop into the sump.

A drain hose returns the collected effluent to the machine.

Oil Mist Curb



If using Stainless Steel add an "SS" to the end of the part #.

PROBLEM: Rubber flex (a preferred method for final connection of duct) may not seal tightly around pick-ups in oil mist applications. Oil/effluent that condenses on the side of the hose leaks out between the hose and the connection. **Result:** oil collects on top of the machine and, with time, runs down the machine causing slick spots on the floor.

SOLUTION: Our Oil Mist Curb addresses the leaking oil NOT BY STOPPING IT (a virtual impossibility) but by collecting it in a sealed curb, allowing it to "leak" back into the machine through "weep" holes.

| Dia. | Part# | GA |
|------|-------|----|
| 4" | 18904 | 24 |
| 5" | 18905 | 24 |
| 6" | 18906 | 24 |
| 7" | 18907 | 22 |
| 8" | 18908 | 22 |
| 9" | 18909 | 22 |
| 10" | 18910 | 22 |
| 11" | 18911 | 22 |
| 12" | 18912 | 22 |

Vibration Dampeners



If using Stainless Steel add an "SS" to the end of the part #.

Vibration Dampeners effectively separate a fan from a ducting system and reduce vibration. They can be adapted on each end to match any fan inlet dimension and duct system.

Standard rubber
Compromised of 1/8" EPDM that is stitched and glued. Red Silicone Rubber and other materials are available upon request.

| Dia. | Part# | GA |
|------|-------|----|
| 4 | 15404 | 20 |
| 5 | 15405 | 20 |
| 6 | 15406 | 20 |
| 7 | 15407 | 20 |
| 8 | 15408 | 20 |
| 9 | 15409 | 20 |
| 10 | 15410 | 20 |
| 12 | 15412 | 20 |
| 14 | 15414 | 20 |
| 16 | 15416 | 20 |
| 18 | 15418 | 20 |
| 20 | 15420 | 20 |
| 22 | 15422 | 20 |
| 24 | 15424 | 20 |
| 26 | 15426 | 20 |
| 28 | 15428 | 20 |
| 30 | 15430 | 20 |

2021 Product Catalog

KB Duct is **NOW** Stocking More Duct Components,
Guaranteeing **FASTER DELIVERY** and **OUTSTANDING SERVICE!**



CECO KB Duct

Industrial Ductwork Solutions for a cleaner, safer working environment

CECO KB Duct

Toll Free: 1.866.562.3828
www.cecoenviro.com/kbduct

KB DUCT- NORTH CAROLINA FACILITY

8735 West Market Street
Greensboro, North Carolina 27409
Phone: 336.668.3773
Fax: 336.668.0043

CECO
ENVIRONMENTAL